

Contents

Contents & Quick Connection Structure 1

CRT Sockets Cross Reference Table 2

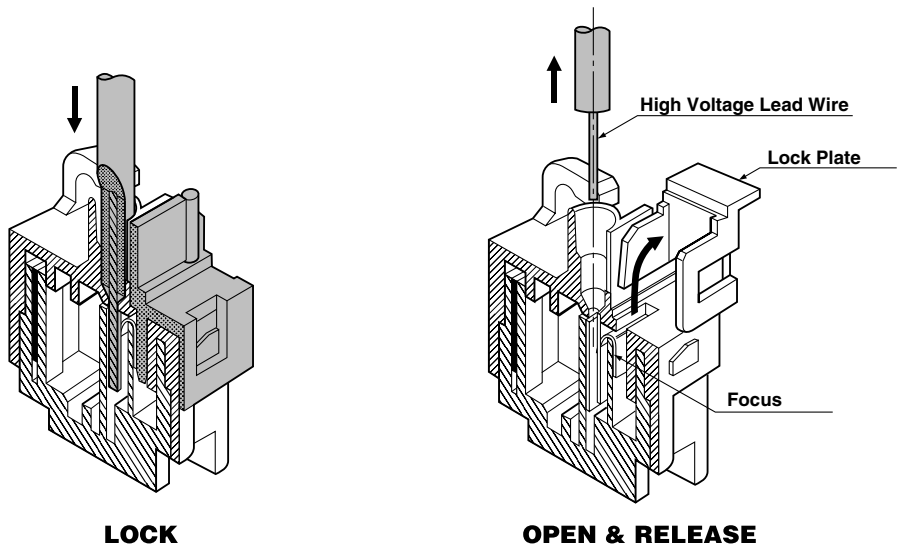
CRT Sockets (Mini Neck ϕ 22.5mm) 3

CRT Sockets (Small Neck ϕ 29 mm) 4~10

Model No. Table Back Cover

Quick Connection Structure

When inserted, the high voltage lead wire connected to the focus terminal is locked in place for secure connection. The lead wire is unlocked by lifting the lock plate for removal.

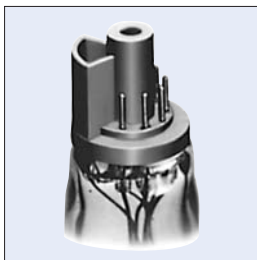


CRT Sockets Cross Reference Table

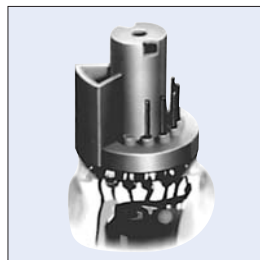
CRT Sockets

| Classification of CRT | | | | CRT Sockets Model No. Table | | Page No. |
|-----------------------|--------------------|------------------|--------------------|-----------------------------|-------------------------|----------|
| Name of Neck | Neck Diameter (mm) | Focus Structures | JEDEC Base No. | Series Name | Model No. | |
| Mini Neck | φ 22.5 | Bi-Potential | B8-288 B8-293 | HPS3200 | HPS3200 | 3 |
| | | | | HPS4200 | HPS4200 | 3 |
| Small Neck | φ 29 | Hi-Bi-Pot | B10-275 B10-276 | HPS2199 | HPS2199,HPS2359,HPS2358 | 4 |
| | | | | HPS0400 | HPS0400 | 5 |
| | | | | HPS0521 | HPS0521 | 6 |
| | | | B10-277 | HPS0600 | HPS0600 | 7 |
| | | | | HPS1400 | HPS1400 | 5 |
| | | | | HPS1521 | HPS1521 | 6 |
| | | | | HPS1600 | HPS1600 | 7 |
| | | DAF or DBF | B10-301 B10-304 | HPS0380 | HPS0380 | 8 |
| | | | | HPS0440 | HPS0440 | 9 |
| | | | | HPS0720 | HPS0720 | 10 |

JEDEC Base No.



JEDEC Base No.B8-288
B8-243



JEDEC Base No.B10-275
B10-276

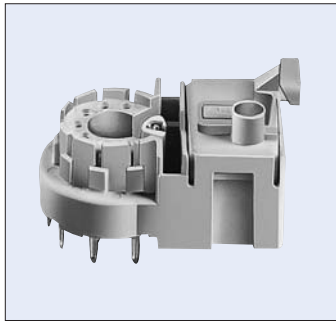


JEDEC Base No.B10-277

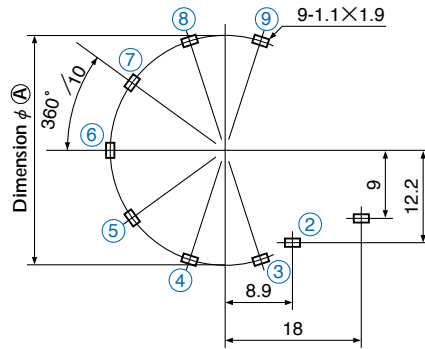


JEDEC Base No.B10-301
B10-304

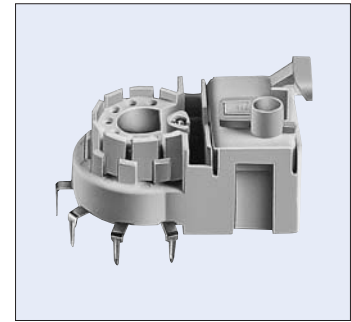
HPS3200/HPS4200 Series Quick Connection Structure (Refer to Page1)



HPS3200



HOLE LAYOUT (BOTTOM VIEW)

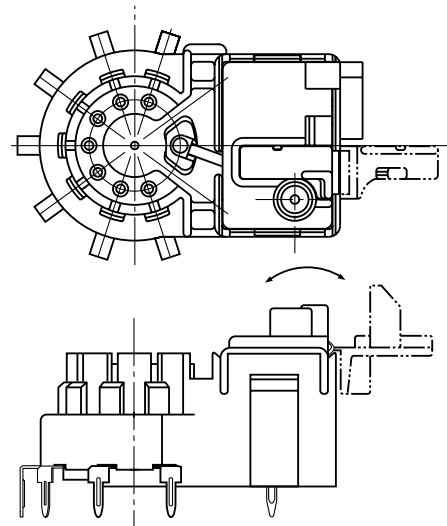
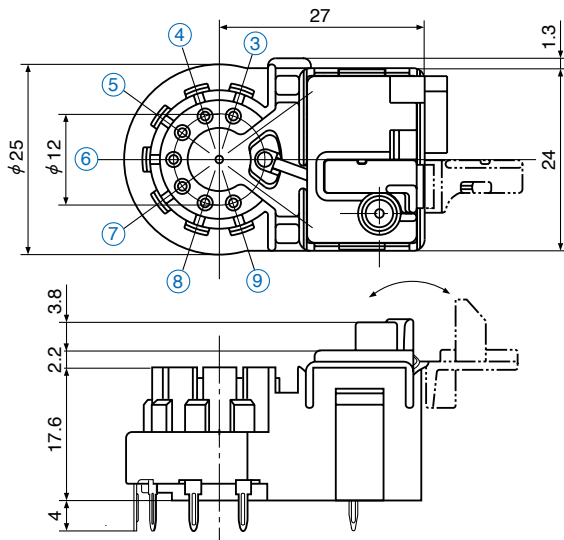


HPS4200

JEDEC Base No. B8-228
B8-293

(Refer to Page2)

Above socket is same size and arrangement as HPS3200 without ϕ A

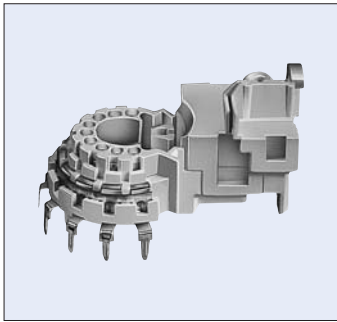


Specifications of Spark Gap

| Series No. | HPS3200/HPS4200 | | | | Dimension ϕ A |
|--------------|--|---|---|---|-----------------------|
| Pin No. | Model No. Spark Gap Flash Over Voltage(KV DC) | | | | |
| ① (Focus) | HPS3200-010200 HPS4200-010200 (9.0~12.0) | HPS3200-010210 HPS4200-010210 (9.0~12.0) | HPS3200-010220 HPS4200-010220 (9.0~12.0) | HPS3200-010260 HPS4200-010260 (9.0~12.0) | 21.6 30.4 |
| | HPS3200-010500 HPS4200-010500 (11.0~14.0) | HPS3200-010510 HPS4200-010510 (11.0~14.0) | HPS3200-010520 HPS4200-010520 (11.0~14.0) | HPS3200-010560 HPS4200-010560 (11.0~14.0) | 21.6 30.4 |
| | HPS3200-010700 HPS4200-010700 (13.5~16.5) | HPS3200-010710 HPS4200-010710 (13.5~16.5) | HPS3200-010720 HPS4200-010720 (13.5~16.5) | HPS3200-010760 HPS4200-010760 (13.5~16.5) | 21.6 30.4 |
| ② | Low Voltage Ground | | Low Voltage Ground | | |
| ③ | (1.0~2.3) | (1.0~2.3) | (1.0~2.3) | (1.0~2.3) | |
| ④ | (1.0~2.3) | (1.0~2.3) | (1.0~2.3) | (1.0~2.3) | |
| ⑤ | (1.0~2.3) | (1.0~2.3) | Low Voltage Ground | (1.0~2.3) | |
| ⑥ | Low Voltage Ground | (1.0~2.3) | (1.0~2.3) | (1.0~2.3) | |
| ⑦ | (1.0~2.3) | (1.0~2.3) | (1.0~2.3) | (1.0~2.3) | |
| ⑧ | (1.2~2.4) | (1.2~2.4) | (1.2~2.4) | (2.0~3.5) | |
| ⑨ | (1.0~2.3) | (1.0~2.3) | (1.0~2.3) | (1.0~2.3) | |

HPS2199 Series

Quick Connection Structure (Refer to Page 1)



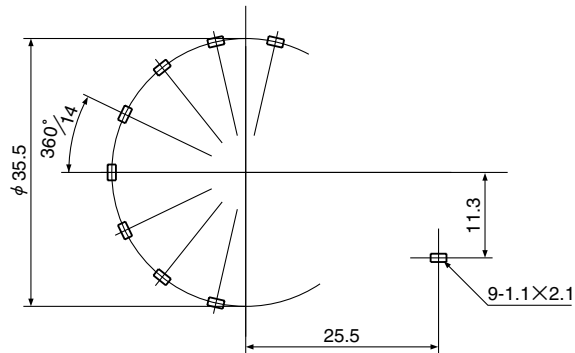
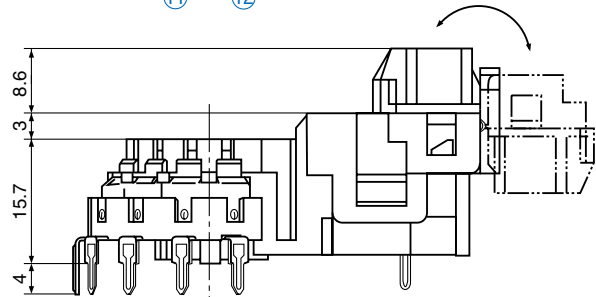
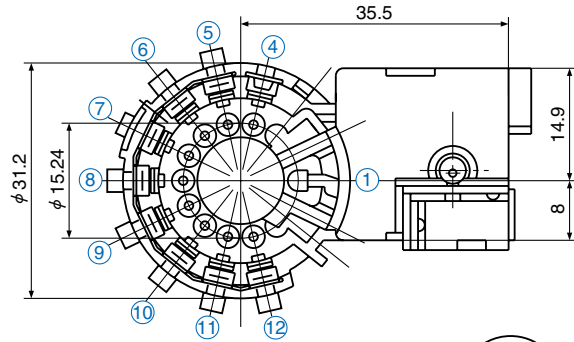
HPS2199

 UL : Recognized E101469
 VDE : Approved No. 3386

 JEDEC Base No. B10-275
 B10-276

JEDEC Base No. B10-277

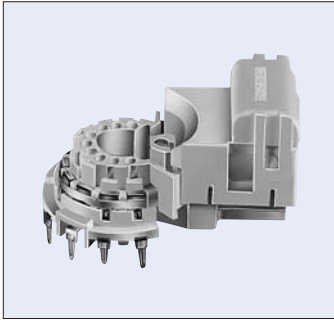
(Refer to Page2)


 HOLE LAYOUT
 (BOTTOM VIEW)

Specifications of Spark Gap

| Series No. | HPS2199 | HPS2359 | HPS2358 |
|--------------|--|-------------------------------|-------------------------------|
| Pin No. | Model No. Spark Gap Flash Over Voltage(KV DC) | | |
| ① (Focus) | HPS2199-01-020 (12.0~15.0) | HPS2359-01-020 (12.0~15.0) | HPS2358-01-020 (12.0~15.0) |
| | HPS2199-01-030 (13.0~16.0) | HPS2359-01-030 (13.0~16.0) | HPS2358-01-030 (13.0~16.0) |
| | HPS2199-01-040 (14.0~17.0) | HPS2359-01-040 (14.0~17.0) | HPS2358-01-040 (14.0~17.0) |
| ④ | (No Contact) | (No Contact) | (No Contact) |
| ⑤ | (1.0~2.3) | (1.0~2.3) | (1.0~2.3) |
| ⑥ | (1.0~2.3) | (1.0~2.3) | (1.0~2.3) |
| ⑦ | (1.2~2.4) | (1.2~2.4) | (2.0~3.5) |
| ⑧ | (1.0~2.3) | (1.0~2.3) | (1.0~2.3) |
| ⑨ | (1.0~2.3) | Low Voltage Ground | (1.0~2.3) |
| ⑩ | (1.0~2.3) | (1.0~2.3) | (1.0~2.3) |
| ⑪ | (1.0~2.3) | (1.0~2.3) | (1.0~2.3) |
| ⑫ | Low Voltage Ground | (Without) | Low Voltage Ground |

HPS0400/HPS1400 Series



HPS0400

UL : Recognized E101469
VDE : Approved No. 3386

JEDEC Base No.B10-275
B10-276

JEDEC Base No.B10-277

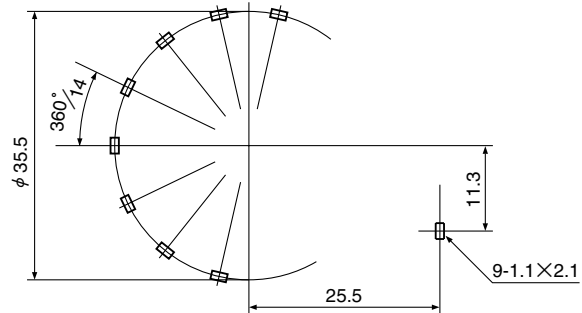
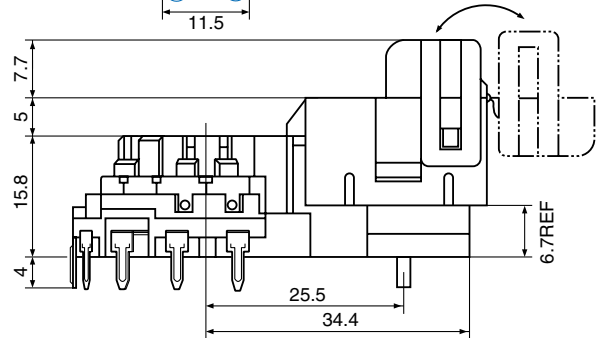
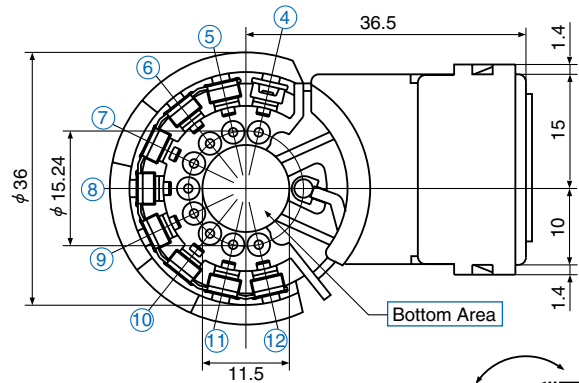
(Refer to Page2)

HPS1400

UL : Recognized E101469

JEDEC Base No.B10-277

(Refer to Page2)

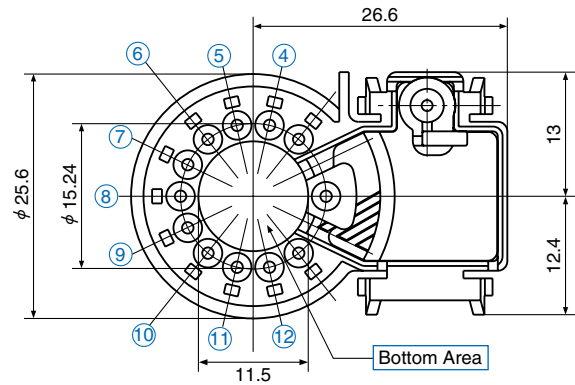
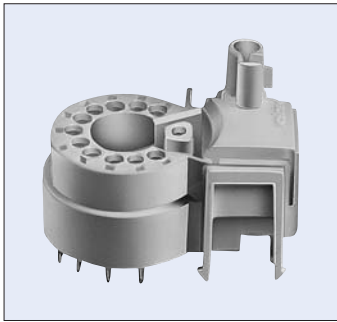


HOLE LAYOUT
(BOTTOM VIEW)

Specifications of Spark Gap

| Series No. | HPS0400 / HPS1400 | | Bottom Area |
|--------------|--|---|---------------|
| Pin No. | Model No. Spark Gap Flash Over Voltage(KV DC) | | |
| ① (Focus) | HPS0400-010240 HPS1400-010240 (12.0~15.0) | HPS0400-010210 HPS1400-010210 (12.0~15.0) | Open Close |
| | HPS0400-010340 HPS1400-010340 (13.0~16.0) | HPS0400-010310 HPS1400-010310 (13.0~16.0) | Open Close |
| | HPS0400-010440 HPS1400-010440 (14.0~17.0) | HPS0400-010410 HPS1400-010410 (14.0~17.0) | Open Close |
| ④ | (No Contact) | (No Contact) | |
| ⑤ | (1.0~2.3) | Low Voltage Ground | |
| ⑥ | (1.0~2.3) | (1.0~2.3) | |
| ⑦ | (1.2~2.4) | (1.2~2.4) | |
| ⑧ | (1.0~2.3) | (1.0~2.3) | |
| ⑨ | (1.0~2.3) | (1.0~2.3) | |
| ⑩ | (1.2~2.4) | (1.0~2.3) | |
| ⑪ | (1.0~2.3) | (1.0~2.3) | |
| ⑫ | Low Voltage Ground | (No Contact) | |

HPS0521/HPS1521 Series Quick Connection Structure (Refer to Page 1)



HPS0521

UL : Recognized E101469
VDE : Approved No. 3386

JEDEC Base No.B10-275
B10-276

JEDEC Base No.B10-277

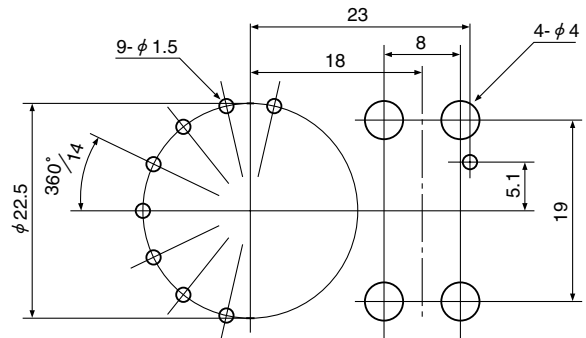
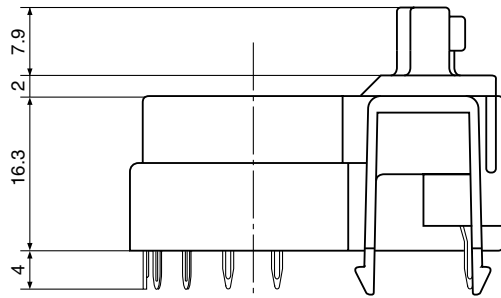
(Refer to Page2)

HPS1521

UL : Recognized E101469
VDE : Approved No. 3386

JEDEC Base No.B10-277

(Refer to Page2)

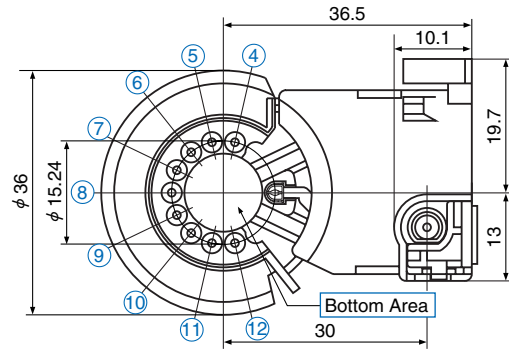
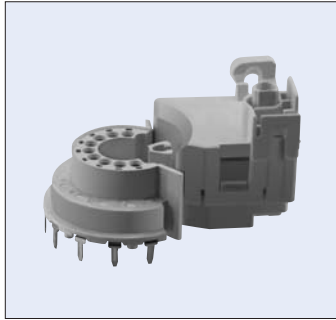


HOLE LAYOUT (BOTTOM VIEW)

Specifications of Spark Gap

| Series No. | HPS0521 / HPS1521 | | Bottom Area |
|--------------|--|---|---------------|
| Pin No. | Model No. Spark Gap Flash Over Voltage(KV DC) | | |
| ① (Focus) | HPS0521-012401 HPS1521-012401 (12.0~15.0) | HPS0521-012101 HPS1521-012101 (12.0~15.0) | Open Close |
| | HPS0521-013401 HPS1521-013401 (13.0~16.0) | HPS0521-013101 HPS1521-013101 (13.0~16.0) | Open Close |
| | HPS0521-014401 HPS1521-014401 (14.0~17.0) | HPS0521-014101 HPS1521-014101 (14.0~17.0) | Open Close |
| ④ | (No Contact) | (No Contact) | |
| ⑤ | (1.0~2.3) | Low Voltage Ground | |
| ⑥ | (1.0~2.3) | (1.0~2.3) | |
| ⑦ | (1.2~2.4) | (1.2~2.4) | |
| ⑧ | (1.0~2.3) | (1.0~2.3) | |
| ⑨ | (1.0~2.3) | (1.0~2.3) | |
| ⑩ | (1.0~2.3) | (1.0~2.3) | |
| ⑪ | (1.0~2.3) | (1.0~2.3) | |
| ⑫ | Low Voltage Ground | (No Contact) | |

HPS0600/HPS1600 Series



HPS0600

UL : Recognized E101469
VDE : Approved No. 3386

JEDEC Base No.B10-275
B10-276

JEDEC Base No.B10-277

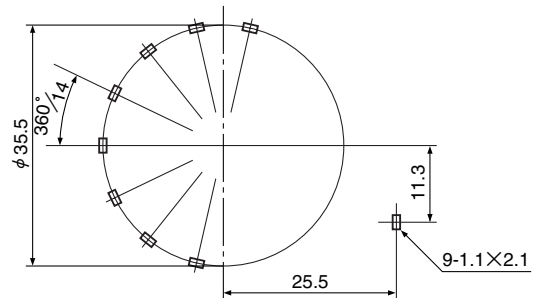
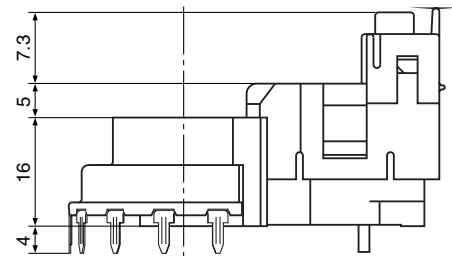
(Refer to Page2)

HPS1600

UL : Recognized E101469
VDE : Approved No. 3386

JEDEC Base No.B10-277

(Refer to Page2)

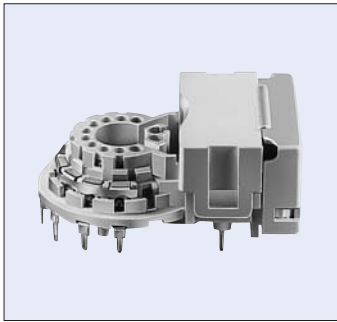


HOLE LAYOUT
(BOTTOM VIEW)

Specifications of Spark Gap

| Series No. | HPS0600 / HPS1600 | | Bottom Area |
|--------------|--|---|---------------|
| Pin No. | Model No. Spark Gap Flash Over Voltage(KV DC) | | |
| ① (Focus) | HPS0600-012400 HPS1600-012400 (12.0~15.0) | HPS0600-012100 HPS1600-012100 (12.0~15.0) | Open Close |
| | HPS0600-013400 HPS1600-013400 (13.0~16.0) | HPS0600-013100 HPS1600-013100 (13.0~16.0) | Open Close |
| | HPS0600-014400 HPS1600-014400 (14.0~17.0) | HPS0600-014100 HPS1600-014100 (14.0~17.0) | Open Close |
| ④ | (No Contact) | (No Contact) | |
| ⑤ | (1.0~2.3) | Low Voltage Ground | |
| ⑥ | (1.0~2.3) | (1.0~2.3) | |
| ⑦ | (1.2~2.4) | (1.2~2.4) | |
| ⑧ | (1.0~2.3) | (1.0~2.3) | |
| ⑨ | (1.0~2.3) | (1.0~2.3) | |
| ⑩ | (1.0~2.3) | (1.0~2.3) | |
| ⑪ | (1.0~2.3) | (1.0~2.3) | |
| ⑫ | Low Voltage Ground | (No Contact) | |

HPS0380 Series



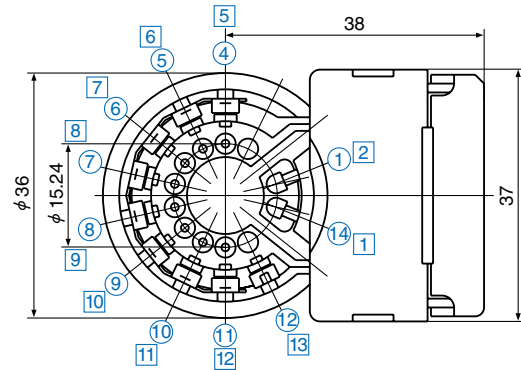
HPS0380

Duble Focus Type

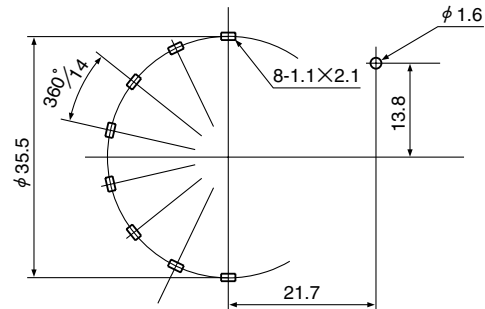
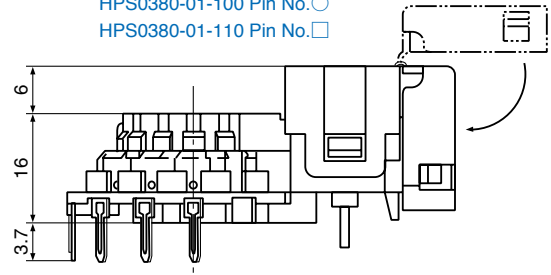
UL : Recognized E101469
VDE : Approved No. 3386

JEDEC Base No.B10-301
B10-304

(Refer to Page2)



HPS0380-01-100 Pin No.○
HPS0380-01-110 Pin No.□



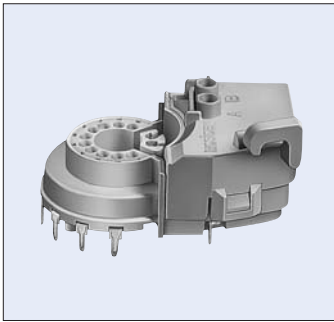
**HOLE LAYOUT
(BOTTOM VIEW)**

Specifications of Spark Gap

| Series No. | HPS0380 | |
|--------------|--|--------------------|
| Pin No. | Model No. Spark Gap Flash Over Voltage(KV DC) | |
| ⑭ (Focus) | HPS0380-01-100 (11.5~15.0) | |
| ① (Focus) | (11.5~15.0) | |
| ② (Focus) | | (11.5~15.0) |
| ④ | Low Voltage Ground | |
| ⑤ | (1.0~2.3) | (1.0~2.3) |
| ⑥ | (1.0~2.3) | (1.0~2.3) |
| ⑦ | (1.2~2.4) | (1.2~2.4) |
| ⑧ | (1.0~2.3) | (1.0~2.3) |
| ⑨ | (1.0~2.3) | (Without) |
| ⑩ | (1.0~2.3) | (Without) |
| ⑪ | (1.0~2.3) | (1.0~2.3) |
| ⑫ | | Low Voltage Ground |

HPS0440 Series

Quick Connection Structure (Refer to Page 1)



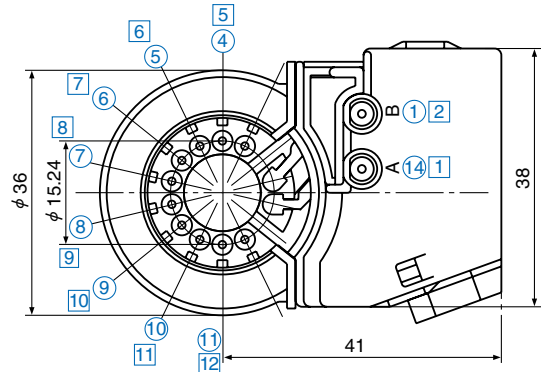
HPS0440

Duble Focus Type

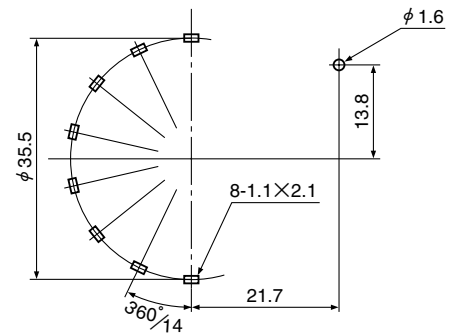
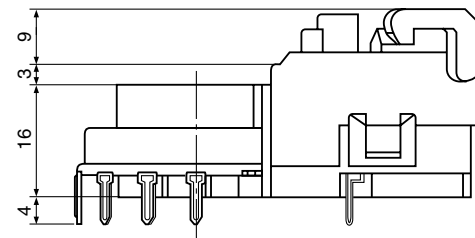
UL : Recognized E101469
VDE : Approved No. 3386

JEDEC Base No.B10-301
B10-304

(Refer to Page2)



HPS0440-015000 Pin No.○
HPS0440-015100 Pin No.□



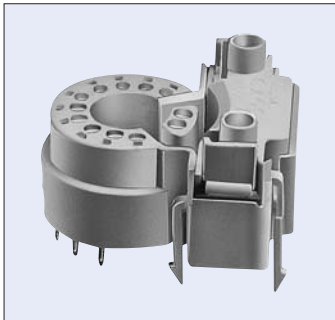
HOLE LAYOUT (BOTTOM VIEW)

Specifications of Spark Gap

| Series No. | HPS0440 | |
|--------------|--|---------------------------------|
| Pin No. | Model No. Spark Gap Flash Over Voltage(KV DC) | |
| ⑭ (Focus) | HPS0440-015000 (A 15.0~19.0) | HPS0440-015100 (A 15.0~19.0) |
| ① (Focus) | (B 15.0~19.0) | |
| ② (Focus) | | (B 15.0~19.0) |
| ④ | Low Voltage Ground | |
| ⑤ | (1.0~2.3) | (1.0~2.3) |
| ⑥ | (1.0~2.3) | (1.0~2.3) |
| ⑦ | (1.2~2.4) | (1.2~2.4) |
| ⑧ | (1.0~2.3) | (1.0~2.3) |
| ⑨ | (1.0~2.3) | (Without) |
| ⑩ | (1.0~2.3) | (Without) |
| ⑪ | (1.0~2.3) | (1.0~2.3) |
| ⑫ | | Low Voltage Ground |

HPS0720 Series

Quick Connection Structure (Refer to Page 1)



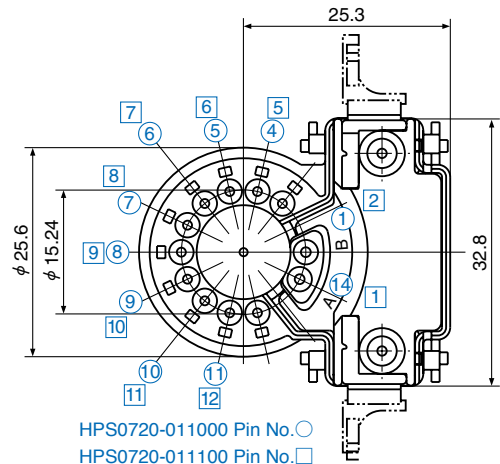
HPS0720

Duble Focus Type

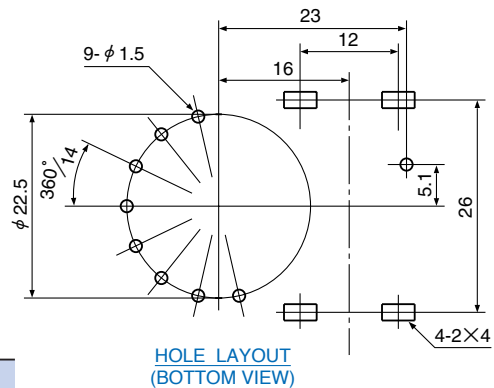
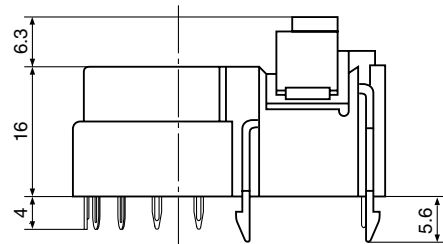
UL : Recognized E101469
VDE : Approved No. 3386

JEDEC Base No.B10-301
B10-304

(Refer to Page2)



HPS0720-011000 Pin No.○
HPS0720-011100 Pin No.□



HOLE LAYOUT (BOTTOM VIEW)

Specifications of Spark Gap

| Series No. | HPS0720 | |
|--------------|--|---------------------------------|
| Pin No. | Model No. Spark Gap Flash Over Voltage(KV DC) | |
| ⑭ (Focus) | HPS0720-011000 (A 11.5~15.0) | HPS0720-011100 (A 11.5~15.0) |
| ① (Focus) | (B 11.5~15.0) | |
| ② (Focus) | | (B 11.5~15.0) |
| ④ | Low Voltage Ground | |
| ⑤ | (1.0~2.3) | (1.0~2.3) |
| ⑥ | (1.0~2.3) | (1.0~2.3) |
| ⑦ | (1.2~2.4) | (1.2~2.4) |
| ⑧ | (1.0~2.3) | (1.0~2.3) |
| ⑨ | (1.0~2.3) | (Without) |
| ⑩ | (1.0~2.3) | (Without) |
| ⑪ | (1.0~2.3) | (1.0~2.3) |
| ⑫ | | Low Voltage Ground |