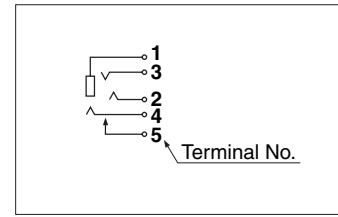
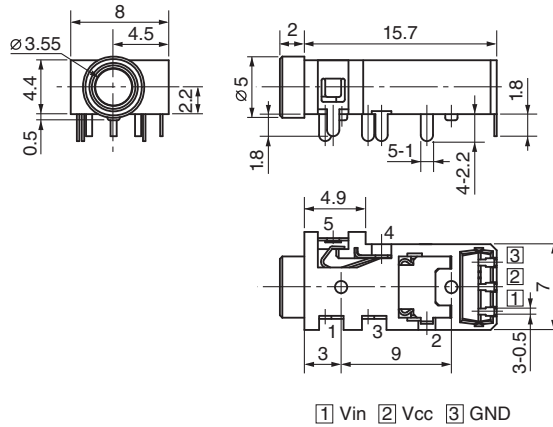
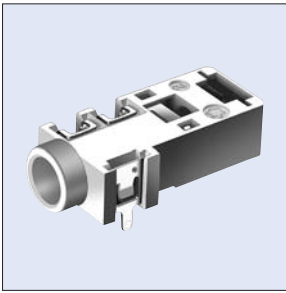
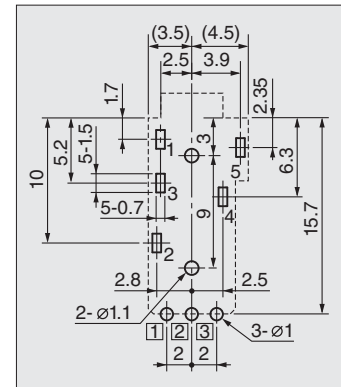


**JFJ8100-010010**



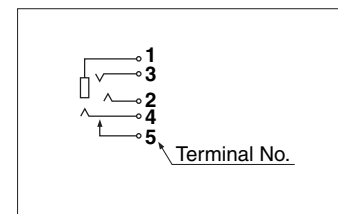
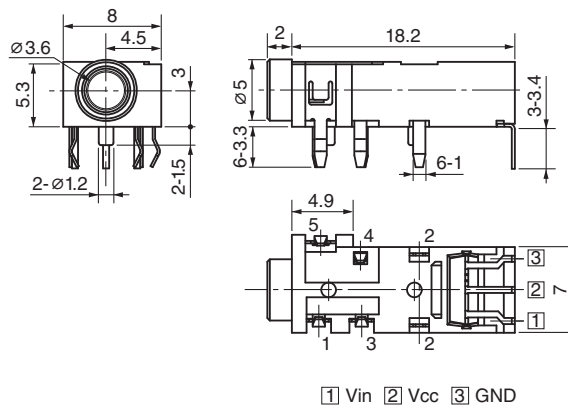
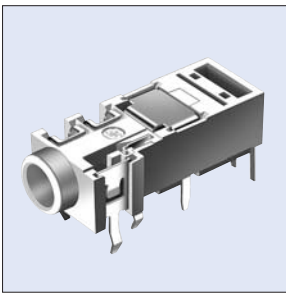
Schematic



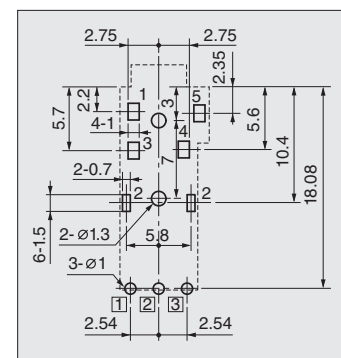
Hole Layout (Bottom View)

Mode	Transmitter
Transfer Rate	8Mbps
Supply Voltage	4.75-5.25V
Pulse Width Distortion	$\pm 30$ ns
Fiber Coupling Light Output	-21 to -15dBm

**JFJ8110-010010**



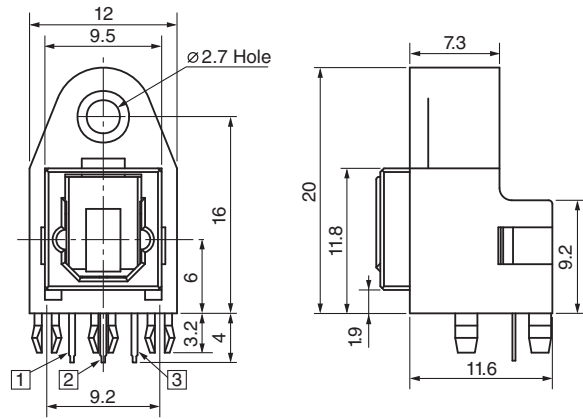
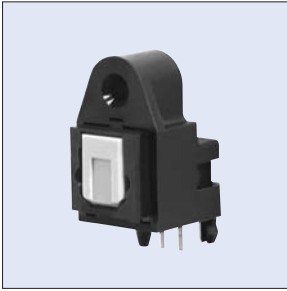
Schematic



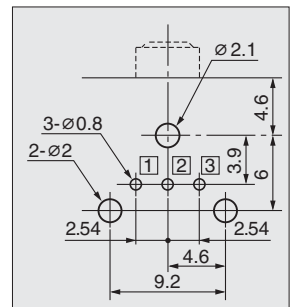
Hole Layout (Bottom View)

Mode	Transmitter
Transfer Rate	8Mbps
Supply Voltage	4.75-5.25V
Pulse Width Distortion	$\pm 30$ ns
Fiber Coupling Light Output	-21 to -15dBm

**JFJ3004-010010**



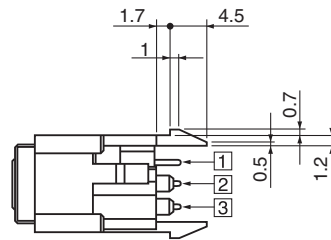
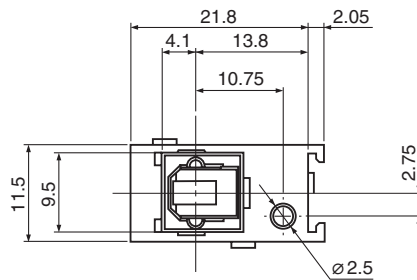
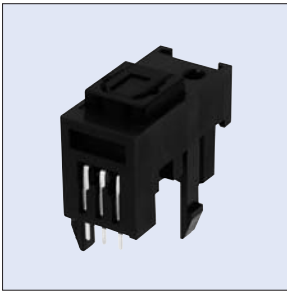
① Vin ② Vcc ③ GND



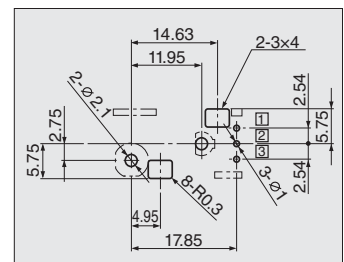
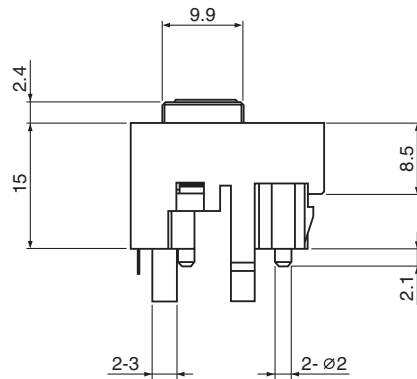
Hole Layout  
(Bottom View)

Mode	Transmitter
Transfer Rate	13.2Mbps
Supply Voltage	2.7-5.25V
Pulse Width Distortion	±30ns
Fiber Coupling Light Output	-21 to -15dBm

**JFJ1510-010250**



① Vin ② Vcc ③ GND



Hole Layout  
(Bottom View)

Mode	Transmitter
Transfer Rate	13.2Mbps
Supply Voltage	4.75-5.25V
Pulse Width Distortion	±30ns
Fiber Coupling Light Output	-21 to -15dBm