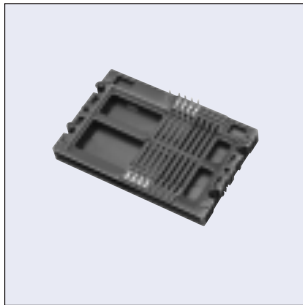
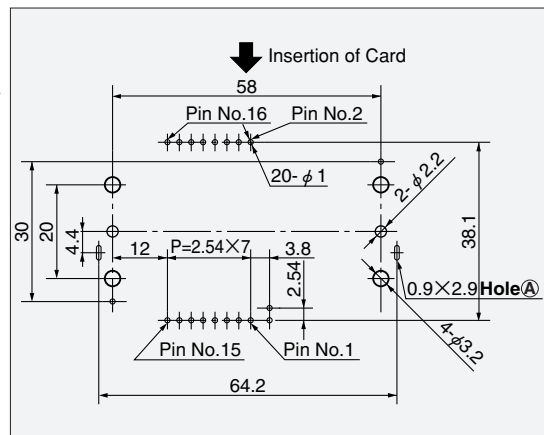
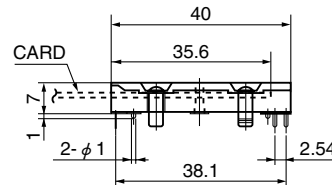
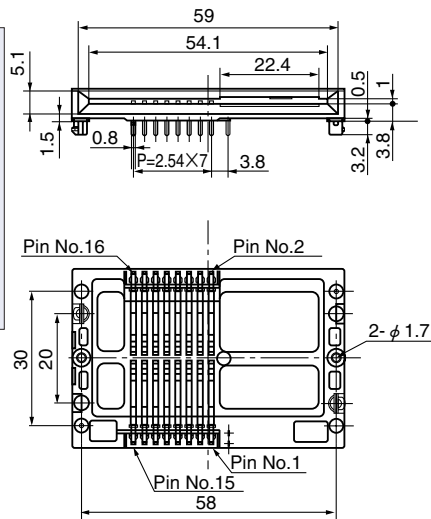


Rating	Contact Resistance	Insulation Resistance	Dielectric Strength	Insertion & Extraction force	Conforming	Durability
0.5 A 30 V DC max.	80 mΩ Max.	1,000 MΩ min. at 500 V DC	500 V AC for 1 minute	Insertion 0.6 N to 5.9 N Extraction 0.3 N to 3.9 N	ISO 7816 / 1 to 3 JIS X 6303	10,000 cycles

CCD8072

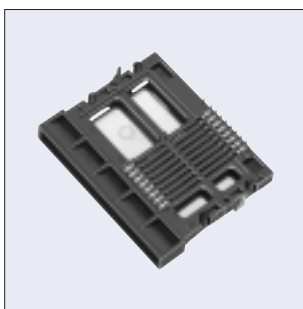


Plastic Cover Type

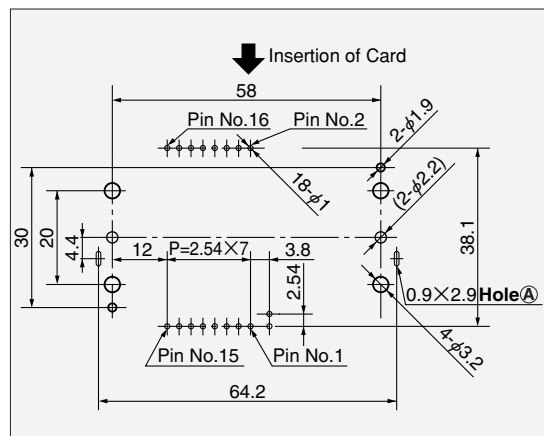
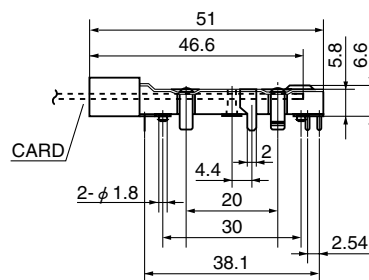
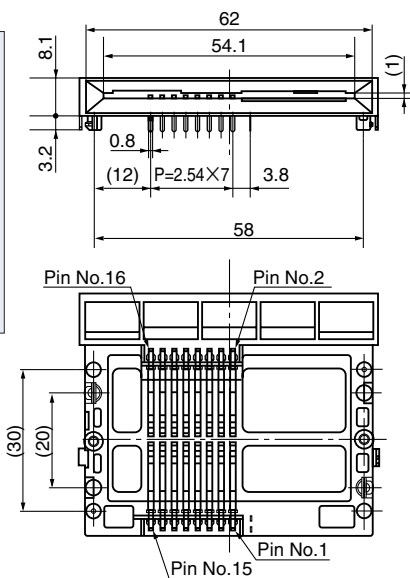

 Hole Layout
(Bottom View)

Plastic Cover Type	Hole A	Metal Cover Type	Hole A	Number of Contacts	Pin No.	Remarks
CCD8072-010019	Without	CCD8074-010019	With	8	1 to 8	ISO
CCD8072-010029	Without	CCD8074-010029	With	8	9 to 16	CP8
CCD8072-010039	Without	CCD8074-010039	With	16	1 to 16	ISO+CP8

CCD8084

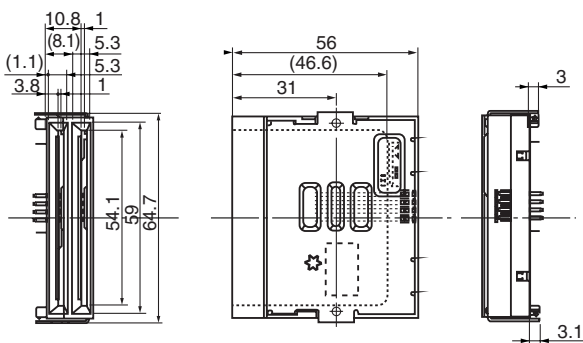
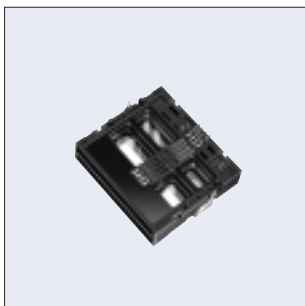


Metal Cover Type


 Hole Layout
(Bottom View)

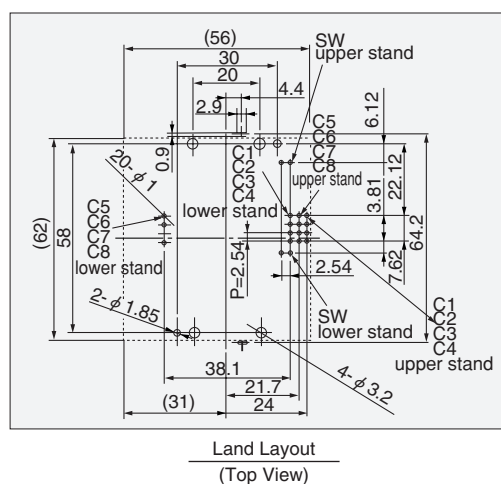
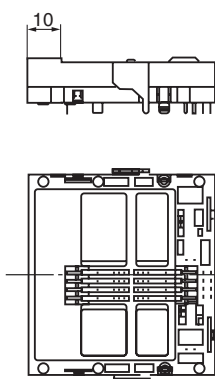
Plastic Cover Type	Hole A	Metal Cover Type	Hole A	Number of Contacts	Pin No.	Remarks
CCD8082-010019	Without	CCD8084-010019	With	8	1 to 8	ISO
CCD8082-010029	Without	CCD8084-010029	With	8	9 to 16	CP8
CCD8082-010039	Without	CCD8084-010039	With	16	1 to 16	ISO+CP8

CCD8065



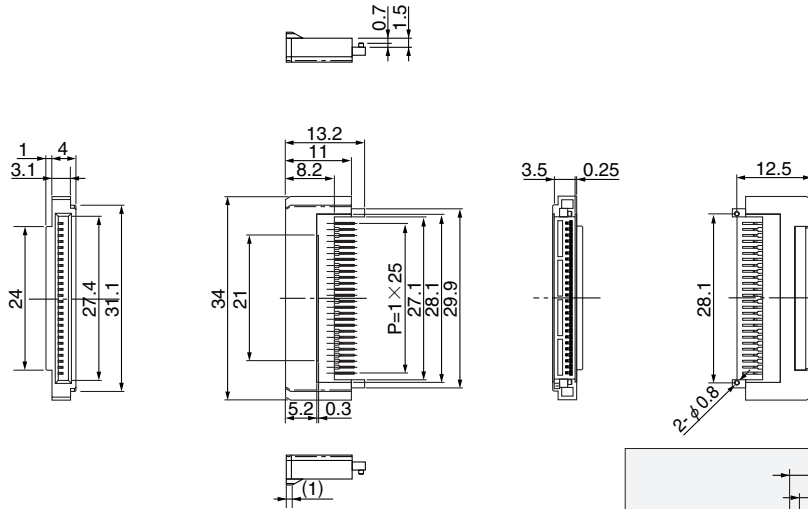
2 cards insertion type with metal cover

Rating	0.5 A max. per contact
Contact Resistance	80 mΩ max.
Insulation Resistance	1,000 MΩ min. at 500 V DC
Insertion & Extraction force	Insertion 0.6 to 5.9 N Extraction 0.3 to 3.9 N
Durability	10,000 cycles
Remarks	ISO

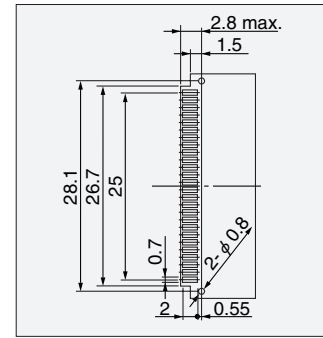


Land Layout
(Top View)

CCD3015

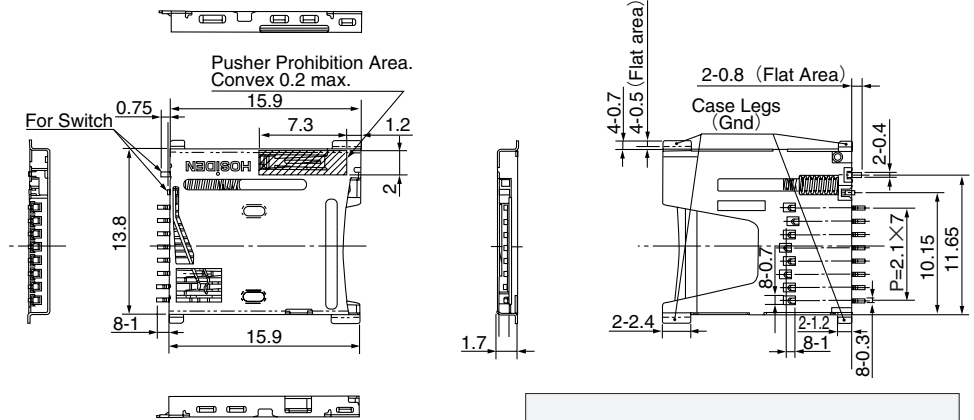
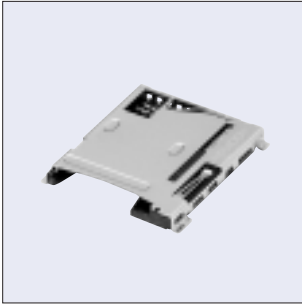


Rating	0.75A per contact
Contact Resistance	Initial 40mΩ After Test 55mΩ
Insertion & Extraction force	Insertion 39 N max. Extraction 3.7 N to 18.5 N
Durability	10,000 cycles

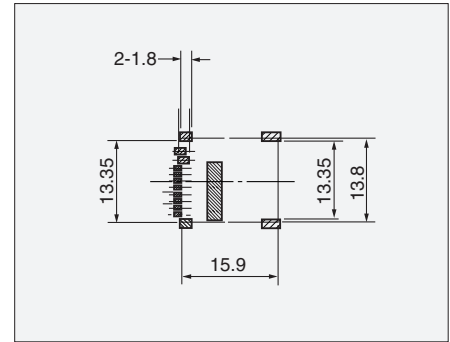


Land Layout
(Top View)

CCD1360



Rating	0.5 A 125 V DC max.
Contact Resistance	Initial 100 mΩ max. After Test 140 mΩ max.
Insulation Resistance	1,000 MΩ min. at 500 V DC
Insertion & Extraction force	1 N to 40 N
Durability	10,000 cycles

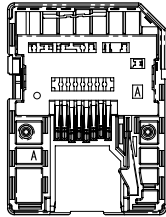


Land Layout
(Top View)

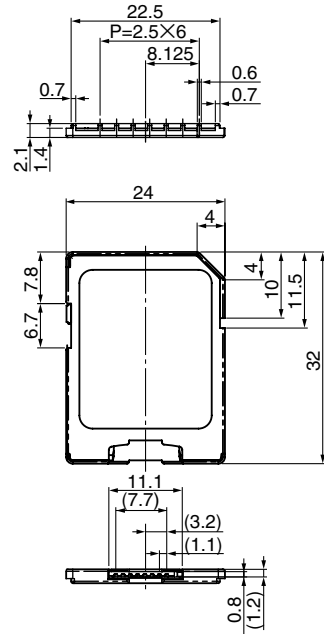
CCD1183 **microSD-SD**



Rating	0.5 A 125 V DC max.
Contact Resistance	Initial 100 mΩ max. After Test 140 mΩ max.
Insulation Resistance	1,000 MΩ min. at 500 V DC
Insertion & Extraction force	Insertion 25 N max. Extraction IN to 10N
Durability	5,000 cycles



Without case



CCD1184 **microSD-miniSD**



Rating	0.5 A 3.3 V DC max.
Contact Resistance	Initial 100 mΩ max. After Test 100 mΩ max.
Insulation Resistance	1,000 MΩ min. at 500 V DC
Insertion & Extraction force	Insertion 25 N max Extraction 1.0 N min. to 10 N max.
Durability	5,000 cycles

