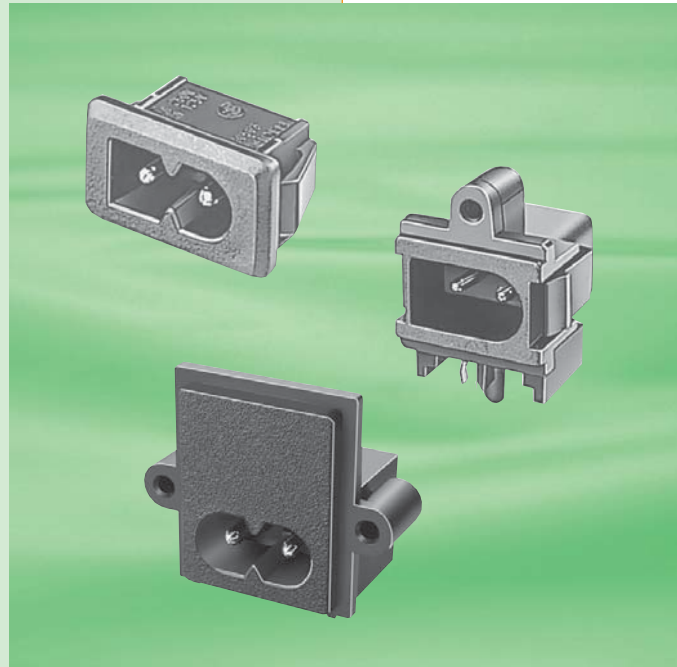


# AC Inlets



Contents .....P.1

Product Lineup.....P.1

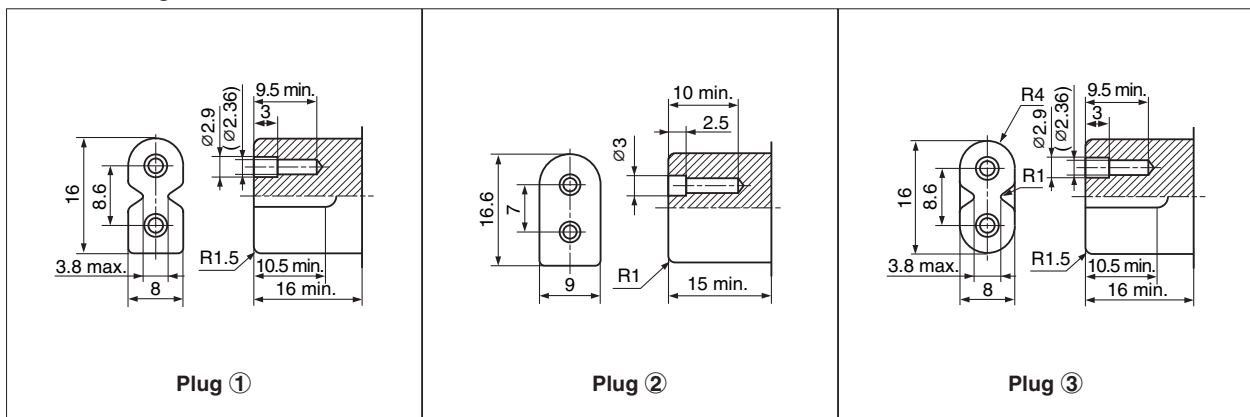
AC Inlets .....P.2 - P.5

AC Inlets (for Lead Wire) .....P.6

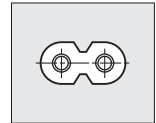
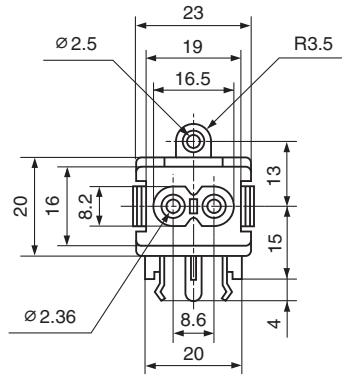
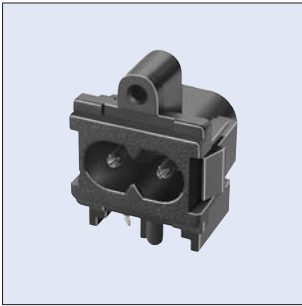
Mate Plug	Model No.	P.C.B.	Lead Wire	Certified Safety Standard
<b>Plug ①</b>	HSC0555-016010	○	—	UL,CSA
	HSC0583-010030	—	○	UL,CSA,VDE
	HSC0610-016030	○	—	UL,CSA,CCC
<b>Plug ②</b>	HSC0529-016031	○	—	UL,CSA
<b>Plug ③</b>	HSC0528-016031	○	—	UL,VDE,SEMKO,DEMKO
	HSC0554-016010	○	—	VDE,SEMKO,DEMKO,FIMKO,SEV,NEMKO
	HSC0560-016020	○	—	VDE
	HSC0573-010030	—	○	UL,CSA,VDE,SEMKO
	HSC0609-016030	○	—	VDE,SEMKO,DEMKO,CCC

Mate Plug

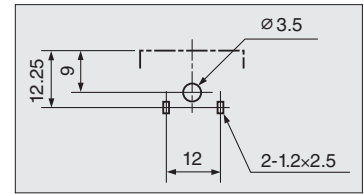
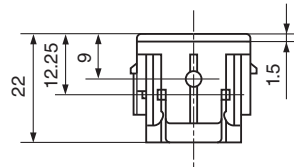
Unit: mm



**HSC0528-016031**



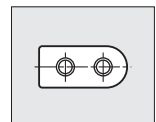
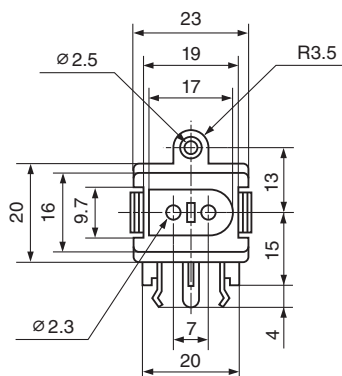
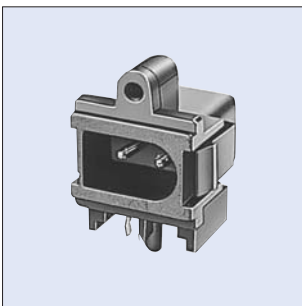
Mate Plug ③



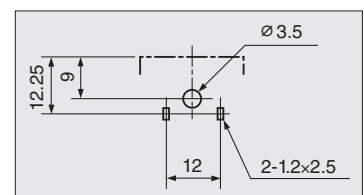
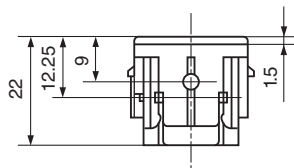
Hole Layout (Bottom View)

Rating	7A 125V AC 2.5A 250V AC
Dielectric Strength	4000V AC
Insulation Resistance	100MΩ min. (at 500V DC)

**HSC0529-016031**



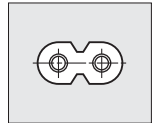
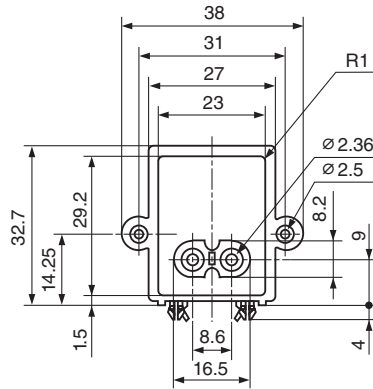
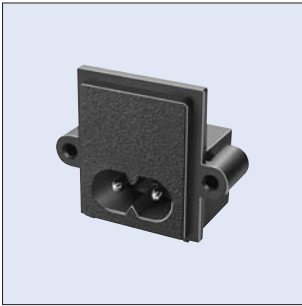
Mate Plug ②



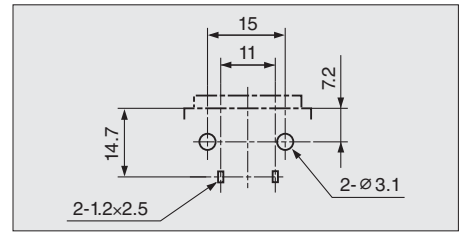
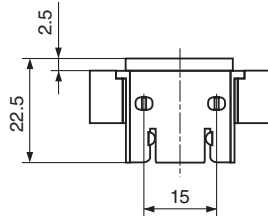
Hole Layout (Bottom View)

Rating	7A 125V AC 2.5A 250V AC
Dielectric Strength	1500V AC
Insulation Resistance	100MΩ min. (at 500V DC)

**HSC0554-016010**



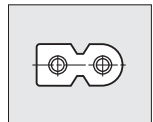
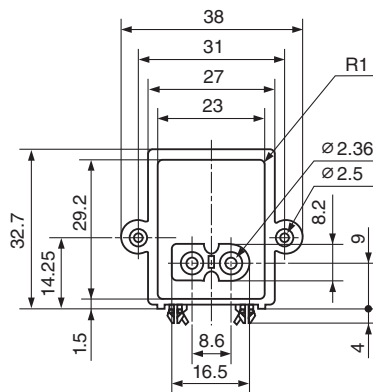
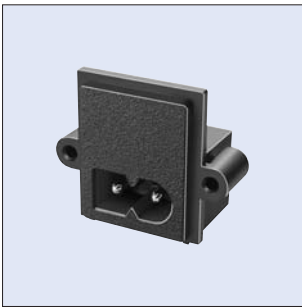
Mate Plug ③



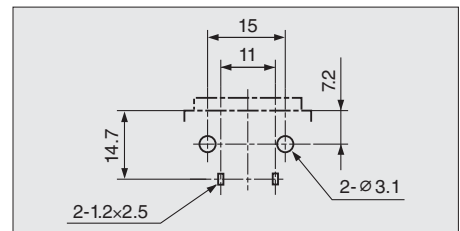
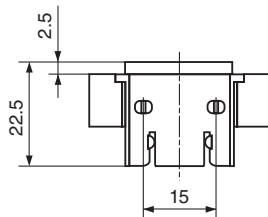
Hole Layout  
(Bottom View)

Rating	2.5A 250V AC
Dielectric Strength	4000V AC
Insulation Resistance	100MΩ min. (at 500V DC)

**HSC0555-016010**



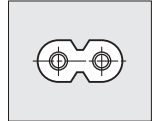
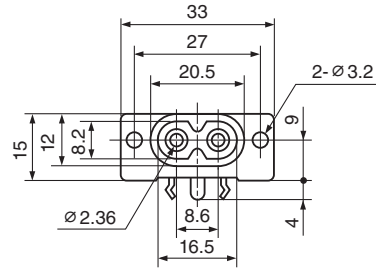
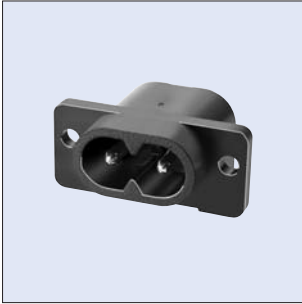
Mate Plug ①



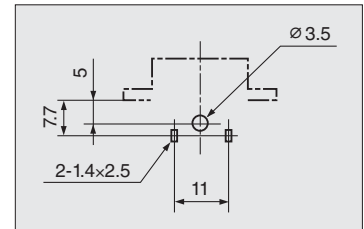
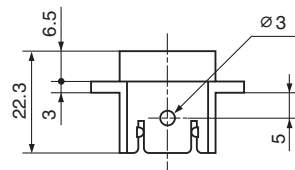
Hole Layout  
(Bottom View)

Rating	7A 125V AC 2.5A 250V AC
Dielectric Strength	4000V AC
Insulation Resistance	100MΩ min. (at 500V DC)

**HSC0560-016020**



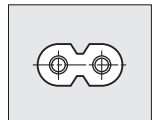
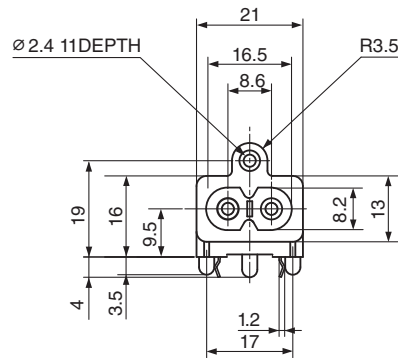
Mate Plug ③



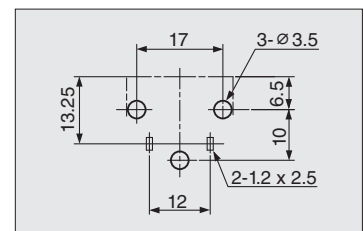
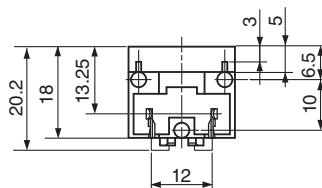
Hole Layout (Bottom View)

Rating	2.5A 250V AC
Dielectric Strength	4000V AC
Insulation Resistance	100MΩ min. (at 500V DC)

**HSC0609-016030**



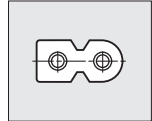
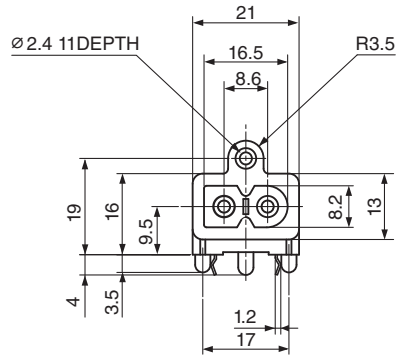
Mate Plug ③



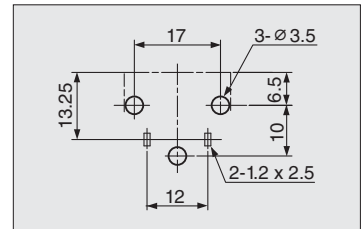
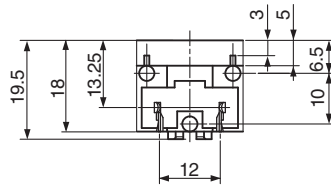
Hole Layout (Bottom View)

Rating	2.5A 250V AC
Dielectric Strength	4000V AC
Insulation Resistance	100MΩ min. (at 500V DC)

**HSC0610-016030**



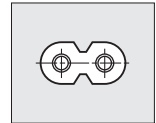
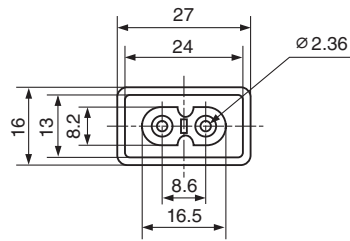
Mate Plug ①



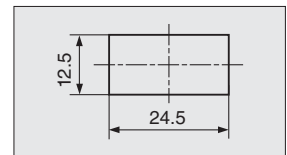
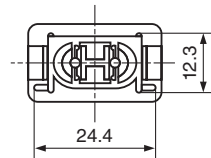
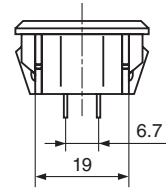
Hole Layout  
(Bottom View)

Rating	2.5A 250V AC
Dielectric Strength	4000V AC
Insulation Resistance	100MΩ min. (at 500V DC)

**HSC0573-010030**



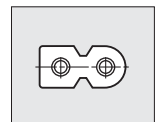
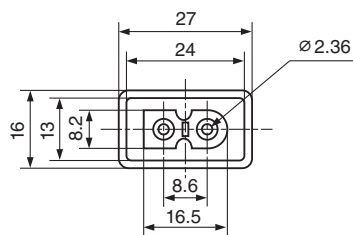
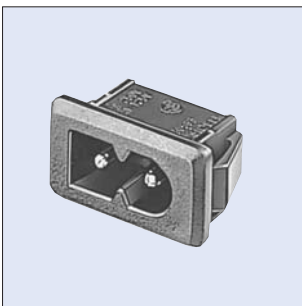
Mate Plug ③



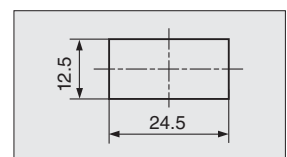
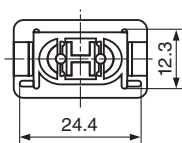
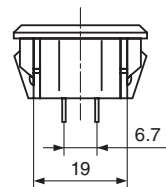
Chassis Installation Hole  
(t = 2.3-2.7)

Rating	2.5A 250V AC
Dielectric Strength	4000V AC
Insulation Resistance	100M $\Omega$ min. (at 500V DC)

**HSC0583-010030**



Mate Plug ①



Chassis Installation Hole  
(t = 2.3-2.7)

Rating	2.5A 250V AC
Dielectric Strength	4000V AC
Insulation Resistance	100M $\Omega$ min. (at 500V DC)

### Model No. Table

Model No.	Page	Model No.	Page
HSC0528-016031	2	HSC0573-010030	6
HSC0529-016031	2	HSC0583-010030	6
HSC0554-016010	3	HSC0609-016030	4
HSC0555-016010	3	HSC0610-016030	5



Hosiden Corporation

<http://www.hosiden.com>

#### Head Office

4-33, Kitakyuhoji 1-chome, Yao-city, Osaka 581-0071, Japan  
Phone : +81-72-993-1010 Fax : +81-72-994-5101

Japan	Overseas Division : 4-33, Kitakyuhoji 1-chome, Yao-city, Osaka 581-0071, Japan Phone : +81-72-993-1010 Fax : +81-72-924-8937
China	Hosiden Electronics(Shanghai) Co., Ltd. Rm, 10-11, 13 <sup>th</sup> Floor, MAXDO Center, Xing-Yi Road, Chang-Ning District, Shanghai China Phone : +86-21-5208-1488 Fax : +86-21-5208-1480 Hosiden (Shenzhen) Co., Ltd. Rm 214-217, 7A building, International Trade Center, 1001 Honghua Rd, Futian Free Trade Zone, Shenzhen, China Phone : +86-755-8348-0952 Fax : +86-755-8359-7722
Hong Kong	Hong Kong Hosiden Ltd. 33, Tseuk Luk Street, 6/F-A San Po Kong, Kowloon, Hong Kong Phone : +852-23238181 Fax : +852-23520425
Taiwan	Taiwan Hosiden Co., Ltd. 10F, No.116, Nanking East Road Sec. 2, Taipei, Taiwan Phone : +886-2-2571-0017 Fax : +886-2-2561-6413
Singapore	Hosiden Singapore Pte. Ltd. 152, Beach Road, #26-03/04, Gateway East, Singapore Phone : +65-6296-8100 Fax : +65-6296-8300
Malaysia	Hosiden Corporation(M)Sdn. Bhd. Lot1,Jalan P/1A,Bangi,Industrial Estate,43650 Bander Baru Bangi, Selangor Darul Ehsan,Malaysia Phone : +60-3-8925-8655 Fax : +60-3-8926-6122
Thailand	Hosiden (Thailand) Co., Ltd. 889 THAI CC TOWER, 21 Floor, Room 212, South Sathorn Road., Kwaeng Yannawa, Khet Sathorn, Bangkok 10120, Thailand Phone : +66-2-673-9760, 9761 Fax : +66-2-673-9762
Germany	Hosiden Europe GmbH Head Office Graf-Recke-Straße 82, 40239 Düsseldorf, Germany Phone : +49-211-96493-0 Fax : +49-211-96493-00
France	Branch office Paris 45 rue Anatole France, 92300 LEVALLOIS-PERRET, France Phone : +33-1-4192-9530 Fax : +33-1-4192-9539
U.K.	Hosiden Besson Ltd. 11 St. Joseph's Trading Estate St. Joseph's Close, Hove, East Sussex, BN3 7EZ, United Kingdom Phone : +44-1273-860000 Fax : +44-1273-777501
U.S.A.	Hosiden America Corp. Head Office 120 East State Parkway, Schaumburg, IL, 60173, U.S.A. Phone : +1-847-885-8870 Fax : +1-847-885-0063 San Jose Sales Office 3031 Tisch Way, Suite, 806 San Jose, CA, 95128, U.S.A. Phone : +1-408-985-8780 Fax : +1-408-985-8785 Detroit Sales Office 28970 Cabot Drive, Suite 600, Novi, MI 48377 Phone : +1-248-489-0174 Fax : +1-248-489-1154

### CAUTION FOR SAFETY

Please use our products properly based on our  
Drawing and Specification.