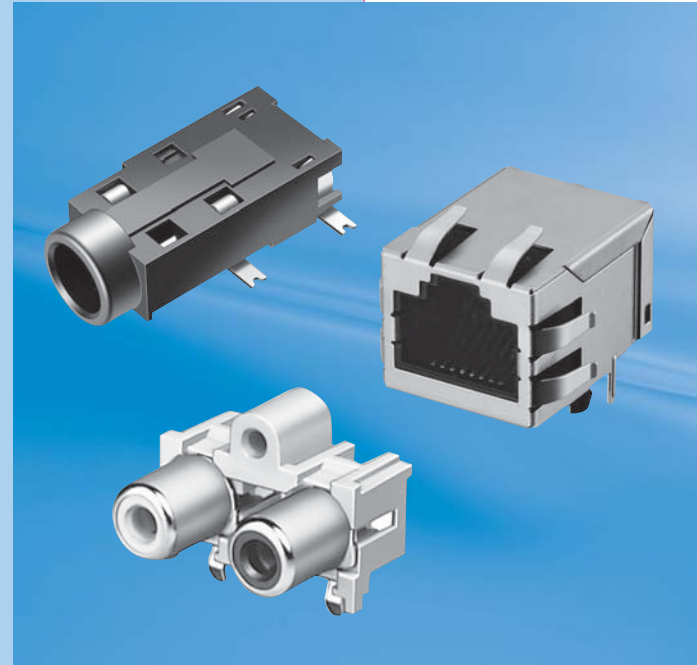


# Miniature Jacks Modular Jacks Pin Jacks

小形ジャック  
モジュラジャック  
ピンジャック



目次 .....	1	Contents .....	1
小形ジャック		Miniature Jacks	
仕様 .....	2	Specifications .....	2
製品一覧 .....	3 - 5	Product Lineup .....	3 - 5
$\phi$ 3.5小形ジャック		3.5 DIA Miniature Jacks	
SMT .....	6 - 8	SMT .....	6 - 8
Dip .....	9 - 14	Dip .....	9 - 14
ミッドマウントタイプ .....	14	Mid Mount Type .....	14
$\phi$ 2.5小形ジャック		2.5 DIA Miniature Jacks	
SMT .....	15 - 19	SMT .....	15 - 19
Dip .....	20	Dip .....	20
2連小形ジャック		Dual Type Miniature Jacks	
Dip .....	21 - 22	Dip .....	21 - 22
モジュラジャック		Modular Jacks	
パルストランス付モジュラジャック .....	23 - 24	LAN Jack with Pulse Transformers .....	23 - 24
ピンジャック		Pin Jacks	
仕様 .....	25	Specifications .....	25
ピンジャック .....	26	Pin Jacks (Single Type) .....	26
ピンジャック 2連 .....	27	Pin Jacks (Dual Type) .....	27
ピンジャック 3連 .....	28	Pin Jacks (Triple Type) .....	28

### 仕様（代表値）／Specifications (Represented Values)

接触抵抗 Contact Resistance	プラグ・可動接片間 Between Plug and Terminals	50mΩ max.
	端子間 Between Terminals	30mΩ max.
	切換スイッチ接点 Switch Part	20mΩ max.
絶縁抵抗 Insulation Resistance		100MΩ min. at 500V DC
耐電圧 Withstanding Voltage		500V AC(r.m.s.) for 1 minute
挿入力 Insertion Force		3N - 30N
抜去力 Withdrawal Force		3N - 30N

注記：仕様は製品により多少変わる場合がありますので詳細は納入仕様書を確認のうえ、ご使用下さい。

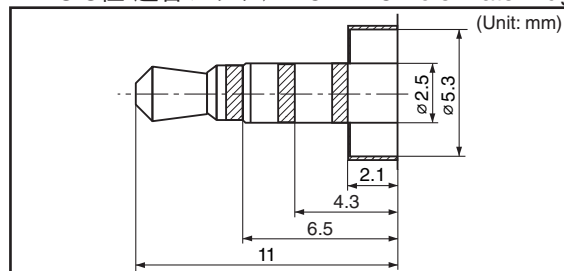
**Notes:** Actual values are shown in the specification of each product.

### φ3.5, φ2.5適合プラグ／3.5 DIA & 2.5 DIA Mate Plug

- 注記： 1. 2極および3極の適合プラグはJIS C 6560-1994 に準拠しています。  
 2. φ3.5 4極の適合プラグはJEITA RC-5325A に準拠しています。  
 3. φ2.5 4極の適合プラグはJEITA RC-5327 に準拠しています。

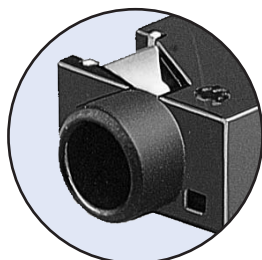
- Notes:** 1. 2-Pole and 3-Pole mate plugs conform to Japanese Industrial Standard C 6560-1994.  
 2. Ø3.5 4-Pole mate plugs conform to Standard of JEITA RC-5325A.  
 3. Ø2.5 4-Pole mate plugs conform to Standard of JEITA RC-5327.

### φ2.5 5極 適合プラグ／2.5 DIA 5-Pole Mate Plug

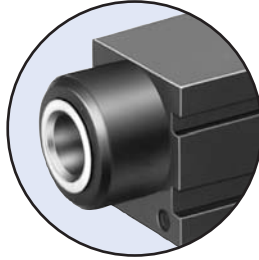


HSJ1684-10GY

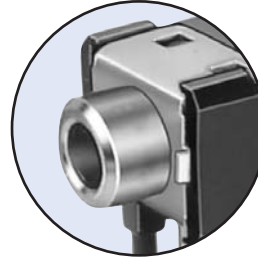
### スリーブ形状／Shape of Sleeves



A



B



C

注記：細部の形状は写真と異なる場合があります。

**Notes:** Actual products may differ in shape detail from these photos.

### Ø3.5 JACKS

Type	Mounting Style	Height Length (mm)	Sleeve	Schematic									
Horizontal 	SMT	$h=1.85$	A	—	HSJ1828	—	—	—	—	—	—	—	
		$h=2.1$	A	—	—	—	—	—	—	—	HSJ1765	—	HSJ2077
		$h=2.2$	A	—	HSJ1636 HSJ2636	—	HSJ1636 HSJ2636		—	—	—	—	—
		$h=2.5$	A	HSJ1601	HSJ1501	—	—	HSJ1501	—	—	—	—	—
	Dip	$h=2.2$	A	—	HSJ1636 HSJ2636	—	HSJ1636 HSJ2636		—	—	—	—	—
		$h=2.25$	A	—	HSJ1494	—	HSJ1494		—	—	—	—	—
			B	—	HSJ1493	—	HSJ1493		—	—	—	—	—
		$h=2.5$	A	—	—	—	HSJ1715	—	—	—	—	—	—
				—	HSJ1456	—	HSJ1456		—	—	—	—	—
			A	—	—	—	HSJ1537	—	—	—	—	—	—
$h=6.5$	A	—	—	—	HSJ1453 HSJ1680	HSJ1403 HSJ1677	—	—	—	—	—		
—	A	—	—	—	HSJ1938	—	—	—	—	—	—		
Vertical 	Dip	$\ell=16$	A	HSJ1406		—	HSJ1406		—	HSJ1406	—	—	
		$\ell=17.5$	A	—	—	—	HSJ2013	—	HSJ2013	—	—	—	
			B	—	—	—	HSJ1013	—	—	—	—	—	

△…絶縁体  
Insulator

Ø3.5 JACKS

Type	Mounting Style	Height Length (mm)	Sleeve	Schematic					
Horizontal 	Dip	$h=2.25$	A	—	HSJ1494				HSJ1594
			B	—	HSJ1493				—
			$h=6.5$	A	HSJ2000	—	—	—	—
Vertical 	Dip	$\ell=17$	A	HSJ2630	—	—	—	—	—

Type	Mounting Style	Height (mm)	Sleeve	Schematic					
Horizontal 	SMT	$h=2.2$	A	—				HSJ1636	
	Dip	$h=2.2$		—				HSJ1636	
		$h=2.25$		HSJ1594				—	

### Ø2.5 JACKS

Type	Mounting Style	Height (mm)	Sleeve	Schematic									
Horizontal 	SMT	$h=1.35$	A	HSJ1621	—	—	—	—	—	—	—		
		$h=1.65$	A	—	—	—	—	—	—	HSJ1671	—		
		$h=2$	A	HSJ1612	—	—	HSJ1169	—	—	—	HSJ1660		
		$h=2.5$	A	—	HSJ1603	—	HSJ1603	—	—	—	—		
	Dip	$h=2.5$ (2)	C	HSJ1102								—	—
		$h=2.5$	A	—	HSJ1650	—	HSJ1650	—	—	—	—		

Type	Mounting Style	Height (mm)	Sleeve	Schematic		
Horizontal 	SMT	$h=1.5$	A	—	—	HSJ1757
		$h=1.85$	A	HSJ2046	HSJ2047	—

### Combination Jacks

Type	Mounting Style	Height (mm)	Sleeve	Schematic					
Horizontal 	Dip	$h=2.5$	B	HSJ1468					

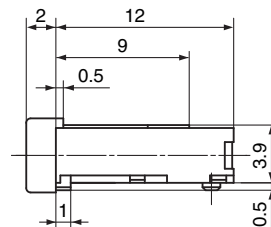
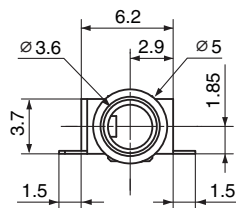
Type	Mounting Style	Height (mm)	Sleeve	Schematic							
Horizontal 	Dip	$h=6.5$	A	HSJ1001				HSJ1002		HSJ1003	

**HSJ1828**

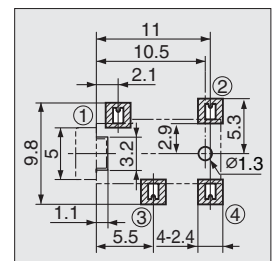


**HSJ1828-011020**

**h=1.85mm**



Schematic	Housing Color	Notes
	Black	HSJ1828-011020
	Red	HSJ1828-011021
		700pcs/reel



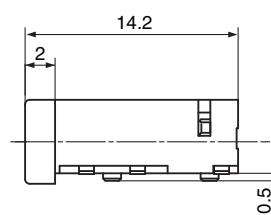
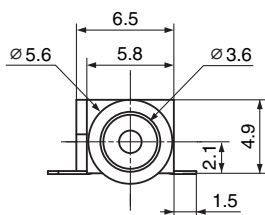
PCB Layout  
(Top View)

**HSJ1765**

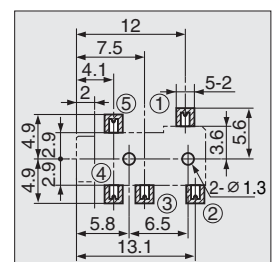


**HSJ1765-011070**

**h=2.1mm**



Schematic	Housing Color	Notes
	Black	HSJ1765-011070
	Yellow	HSJ1765-011075
		700pcs/reel



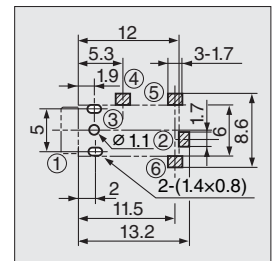
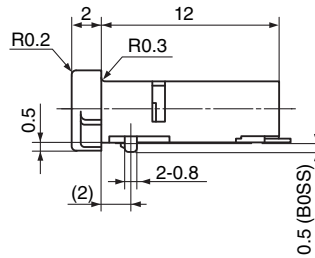
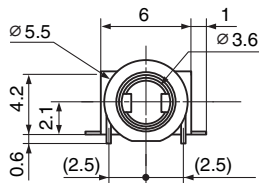
PCB Layout  
(Top View)

**HSJ2077**



**HSJ2077-019670**

**h=2.1mm**

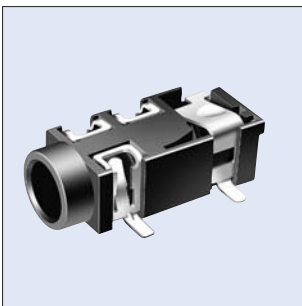


PCB Layout  
(Top View)

Schematic	Housing Color	Notes
	Black	HSJ2077-019670
	Yellow	HSJ2077-019675
		1000pcs/reel

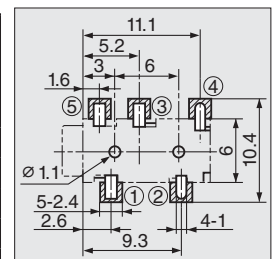
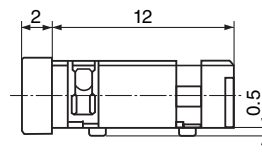
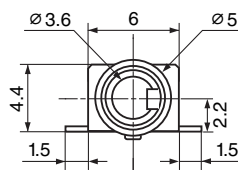
**HSJ1636\***

\*HSJ2636 : 下表参照 / See table.



**HSJ1636-011080**

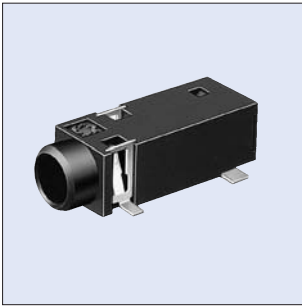
**h=2.2mm**



PCB Layout  
(Top View)

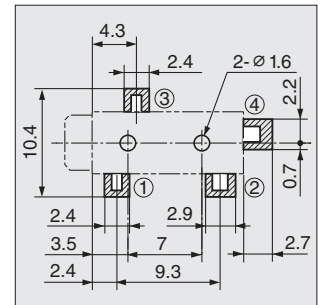
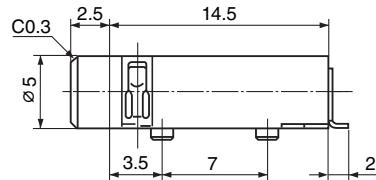
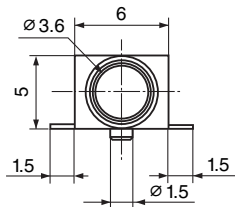
Schematic	Housing Color	Notes
	Black	HSJ1636-011020
	Red	HSJ1636-011021
	Green	HSJ1636-011022
	Black	HSJ2636-011020
	Red	HSJ2636-011021
	Green	HSJ2636-011022
	Black	HSJ1636-011040
	Red	HSJ1636-011041
	Green	HSJ1636-011042
	Black	HSJ2636-011040
	Red	HSJ2636-011041
	Green	HSJ2636-011042
	Black	HSJ1636-011050
	Red	HSJ1636-011051
	Green	HSJ1636-011052
	Black	HSJ2636-011050
	Red	HSJ2636-011051
	Green	HSJ2636-011052
	Black	HSJ1636-011060
	Red	HSJ1636-011061
	Green	HSJ1636-011062
	Black	HSJ2636-011060
	Red	HSJ2636-011061
	Green	HSJ2636-011062
	Black	HSJ1636-011070
	Red	HSJ1636-011071
	Green	HSJ1636-011072
	Black	HSJ2636-011070
	Red	HSJ2636-011071
	Green	HSJ2636-011072
		700pcs/reel
		High Heat Resistance 700pcs/reel

**HSJ1501**



**HSJ1501-010110**

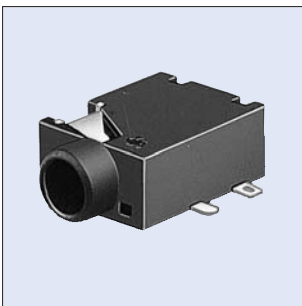
*h*=2.5mm



Pad Layout  
(Top View)

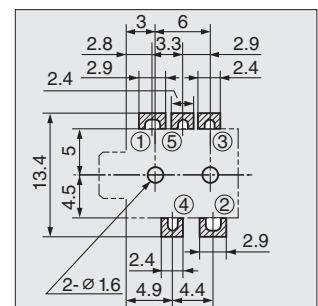
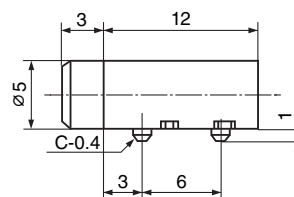
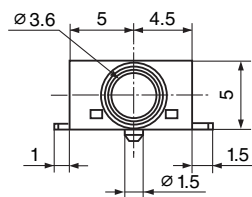
Schematic			Notes
Packaging Style			
Bulk	HSJ1501-010110	HSJ1501-010120	Hand Soldering Only
Taping Packaging	HSJ1501-011110	HSJ1501-011120	1000pcs/reel

**HSJ1601**



**HSJ1601-010110**

*h*=2.5mm



PCB Layout  
(Top View)

Schematic			Notes
Packaging Style			
Bulk	HSJ1601-010110	HSJ1601-011110	Hand Soldering Only
Taping Packaging	HSJ1601-011110	HSJ1601-011110	850pcs/reel

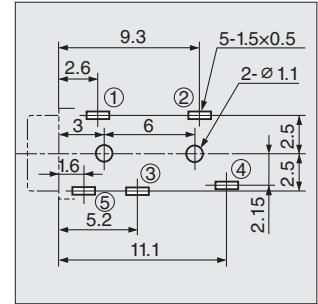
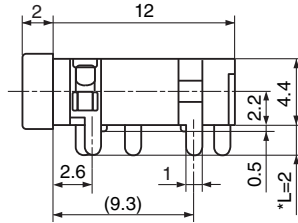
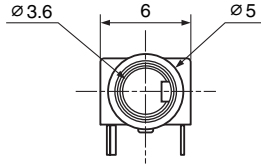
**HSJ1636\***



**HSJ1636-010580**

**h=2.2mm**

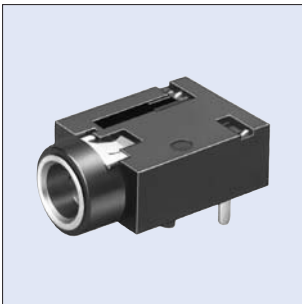
\*HSJ2636 : 下表参照 / See table.



Hole Layout  
(Bottom View)

Schematic								Notes
Housing Color								
Black	HSJ1636-010520	HSJ1636-010540	HSJ1636-010550	HSJ1636-010560	HSJ1636-010570	HSJ1636-010580	HSJ1636-010670	—
Red	HSJ1636-010521	HSJ1636-010541	HSJ1636-010551	HSJ1636-010561	HSJ1636-010571	HSJ1636-010581	HSJ1636-010671	
Green	HSJ1636-010522	HSJ1636-010542	HSJ1636-010552	HSJ1636-010562	HSJ1636-010572	HSJ1636-010582	HSJ1636-010672	
Black	HSJ2636-011520	HSJ2636-011540	HSJ2636-011550	HSJ2636-011560	HSJ2636-011570	HSJ2636-011580	HSJ2636-011670	High Heat Resistance 700pcs/reel
Red	HSJ2636-011521	HSJ2636-011541	HSJ2636-011551	HSJ2636-011561	HSJ2636-011571	HSJ2636-011581	HSJ2636-011671	
Green	HSJ2636-011522	HSJ2636-011542	HSJ2636-011552	HSJ2636-011562	HSJ2636-011572	HSJ2636-011582	HSJ2636-011672	

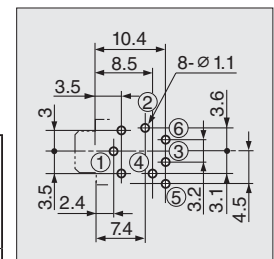
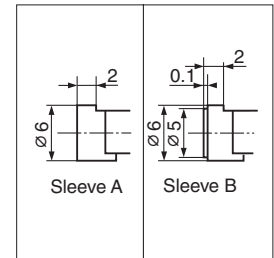
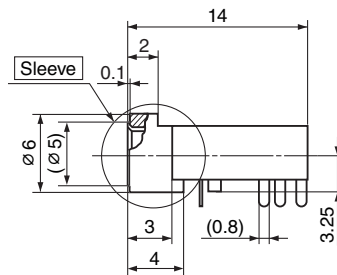
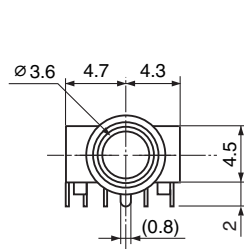
**HSJ1493\***



**HSJ1493-0100109**

**h=2.25mm**

\*HSJ1494 : 下表参照 / See table.



Hole Layout  
(Bottom View)

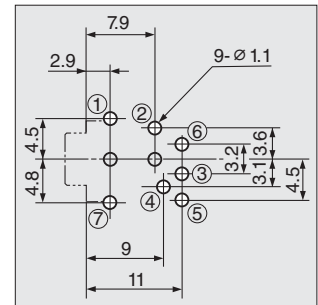
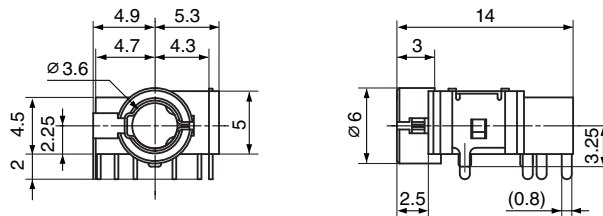
Schematic							
Sleeve							
A	HSJ1494-01-010	HSJ1494-01-020	HSJ1494-01-030	HSJ1494-01-040	HSJ1494-01-050	HSJ1494-01-060	HSJ1494-01-070
B	HSJ1493-0100109	HSJ1493-0100209	HSJ1493-0100309	HSJ1493-0100409	HSJ1493-0100509	HSJ1493-0100609	HSJ1493-0100709

**HSJ1594**



**HSJ1594-010110**

*h*=2.25mm



Schematic						
Black	HSJ1594-010110	HSJ1594-010120	HSJ1594-010130	HSJ1594-010140	HSJ1594-010150	HSJ1594-010160
Yellow	HSJ1594-010115	HSJ1594-010125	HSJ1594-010135	HSJ1594-010145	HSJ1594-010155	HSJ1594-010165

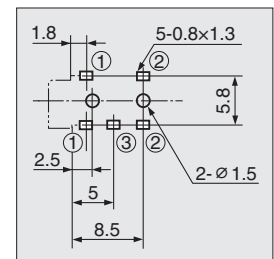
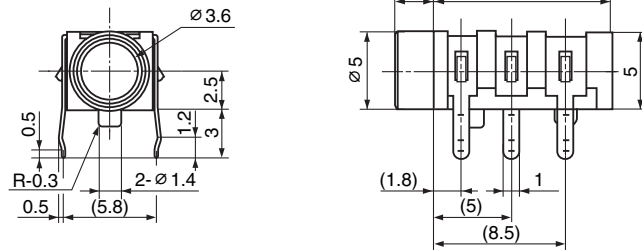
Hole Layout  
(Bottom View)

**HSJ1715**



**HSJ1715-01-110**

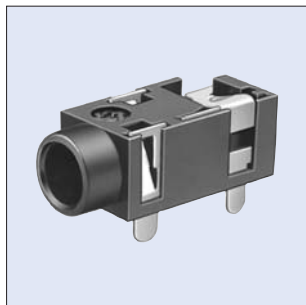
*h*=2.5mm



Schematic	
Black	HSJ1715-01-110

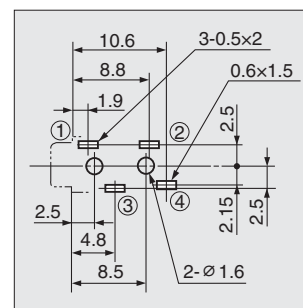
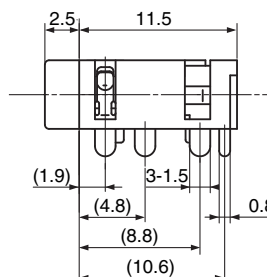
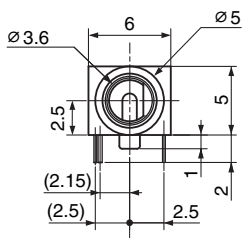
Hole Layout  
(Bottom View)

**HSJ1456**



**HSJ1456-010320**

*h*=2.5mm



Hole Layout  
(Bottom View)

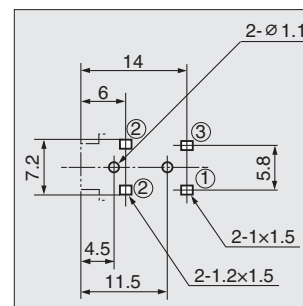
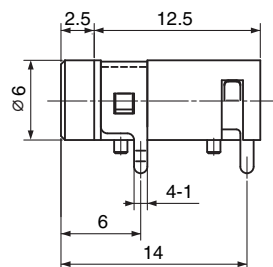
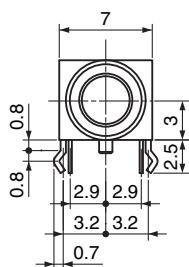
Schematic			
Housing Color	Black	Black	Black
	HSJ1456-010310	HSJ1456-010320	HSJ1456-010330

**HSJ1537**



**HSJ1537-010510**

*h*=3mm

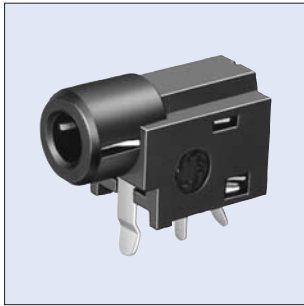


Hole Layout  
(Bottom View)

Schematic	
Housing Color	Black
	HSJ1537-010510
	Green
	HSJ1537-010512
	Yellow
	HSJ1537-010515

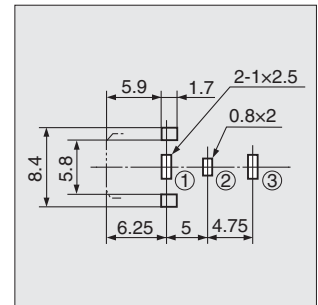
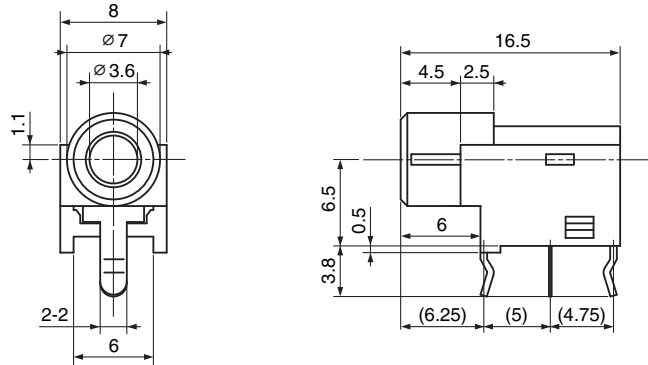
**HSJ1403\***

\*HSJ1453、1677、1680 : 下表参照 / See table.



**HSJ1403-01-010**

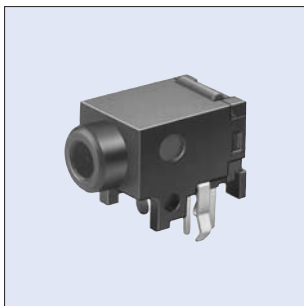
*h*=6.5mm



Hole Layout  
(Bottom View)

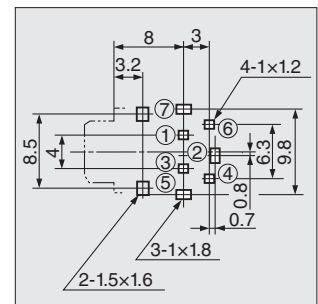
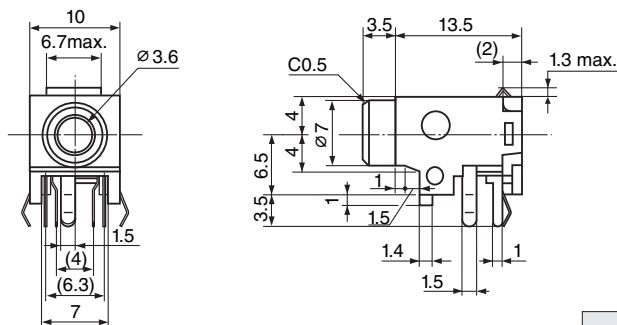
Housing Material	Schematic		Notes
	Housing Color		
PPE	Black	HSJ1403-01-010	Hand Soldering Only
PBT	Black	HSJ1677-010010	High Heat Resistance

**HSJ2000**



**HSJ2000-01-010**

*h*=6.5mm

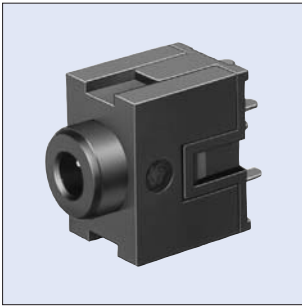


Hole Layout  
(Bottom View)

Housing Color	Schematic	
Black	HSJ2000-01-010	

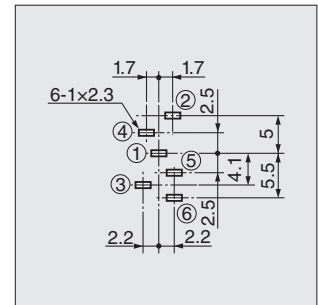
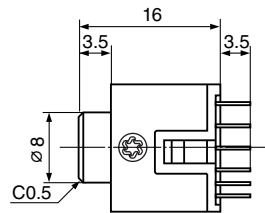
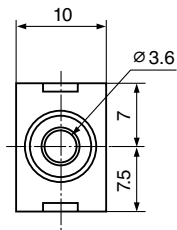
**HSJ1406**

Vertical Type



**HSJ1406-01-010**

ℓ=16mm

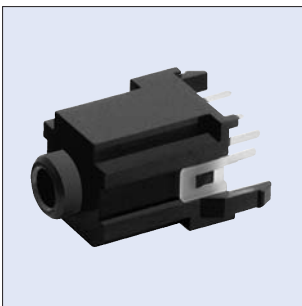


Hole Layout  
(Bottom View)

Schematic						
Housing Color	Black	Black	Black	Black	Black	Black
	HSJ1406-01-010	HSJ1406-01-020	HSJ1406-01-030	HSJ1406-01-040	HSJ1406-01-050	HSJ1406-01-060

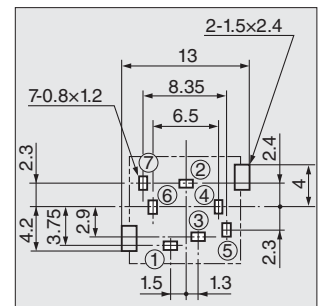
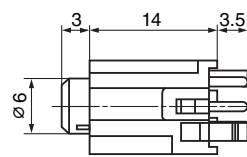
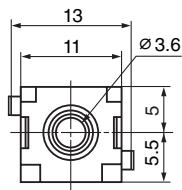
**HSJ2630**

Vertical Type



**HSJ2630-010070**

ℓ=17mm



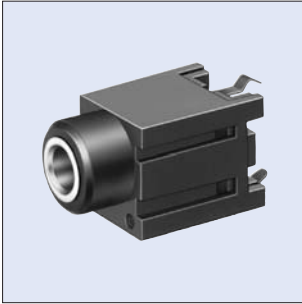
Hole Layout  
(Bottom View)

Schematic	
Housing Color	Black
	HSJ2630-010070

**HSJ1013\***

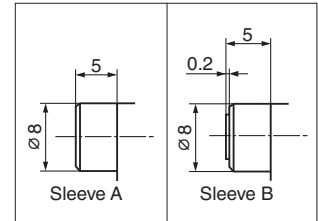
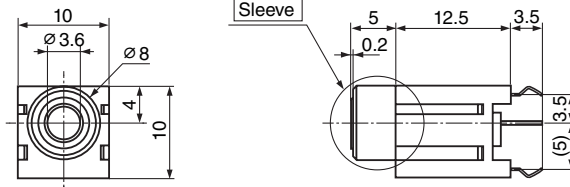
**Vertical Type**

\*HSJ2013 : 下表参照 / See table.

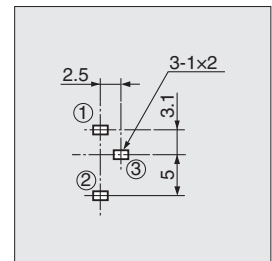


**HSJ1013-0101209**

ℓ=17.5mm



Schematic		
Sleeve	A	HSJ2013-01-120
	B	HSJ1013-0101209



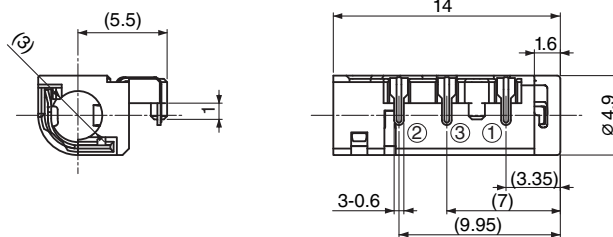
Hole Layout  
(Bottom View)

**HSJ1938**

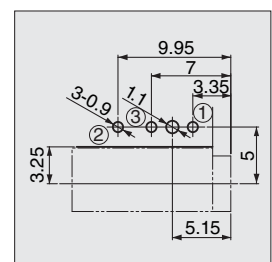
**Mid Mount Type**



**HSJ1938-012040**

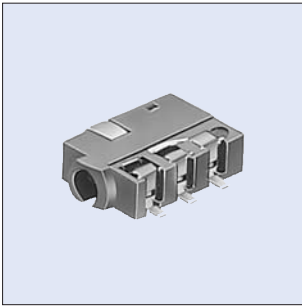


Schematic		
Housing Color	Black	HSJ1938-012040



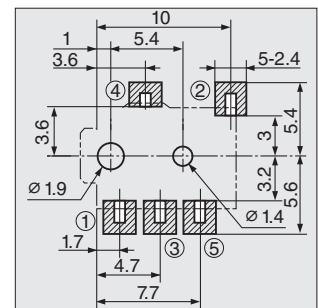
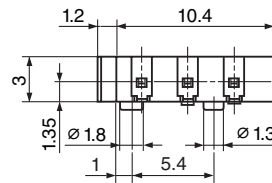
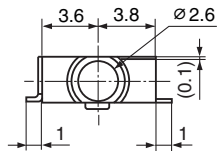
Hole Layout  
(Bottom View)

**HSJ1621**



**HSJ1621-012011**

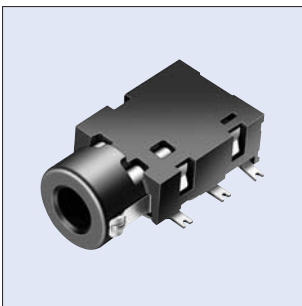
**h=1.35mm**



PCB Layout  
(Top View)

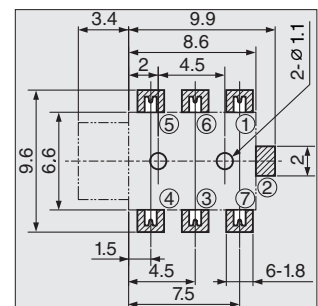
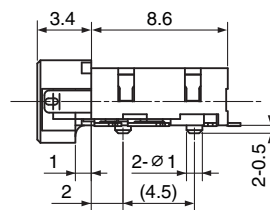
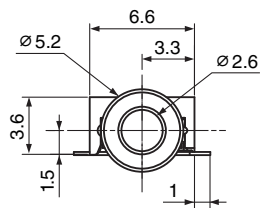
Schematic		Notes
Packaging Style		
Bulk	HSJ1621-012011	Hand Soldering Only
Taping Packaging	HSJ1621-019011	1000pcs/reel

**HSJ1757**



**HSJ1757-019070**

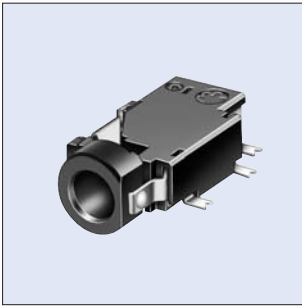
**h=1.5mm**



PCB Layout  
(Top View)

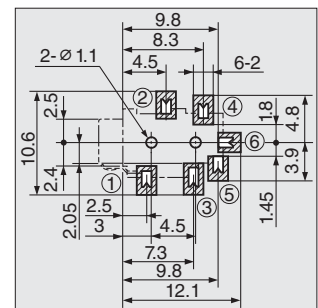
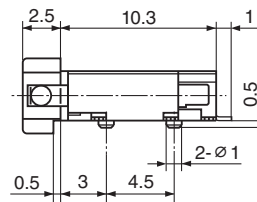
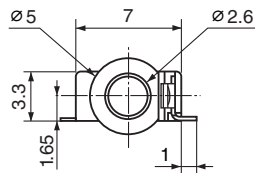
Schematic		Notes
Packaging Style		
Taping Packaging	HSJ1757-019070	1000pcs/reel

**HSJ1671**



**HSJ1671-019010**

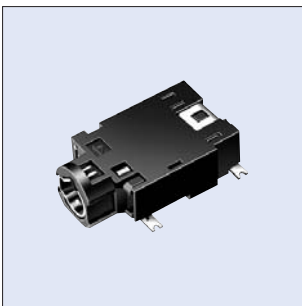
**h=1.65mm**



**PCB Layout**  
(Top View)

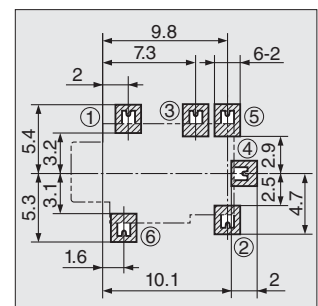
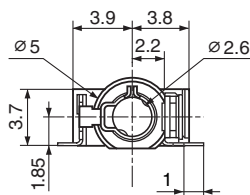
Schematic		Notes
Packaging Style		
Taping Packaging	HSJ1671-019010	1000pcs/reel

**HSJ2046**



**HSJ2046-019070**

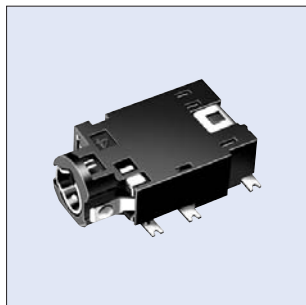
**h=1.85mm**



**PCB Layout**  
(Top View)

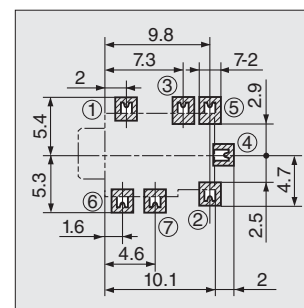
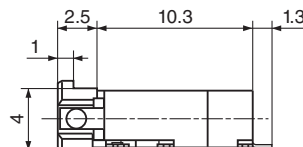
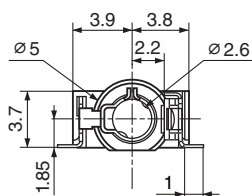
Schematic		Notes
Packaging Style		
Taping Packaging	HSJ2046-019070	1000pcs/reel

**HSJ2047**



**HSJ2047-019010**

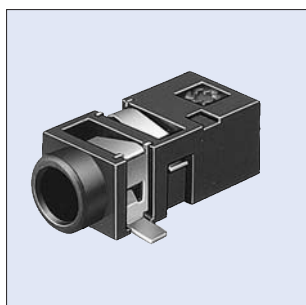
**h=1.85mm**



PCB Layout  
(Top View)

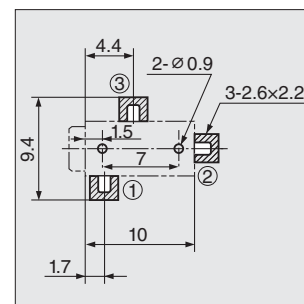
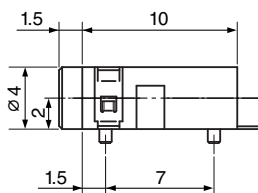
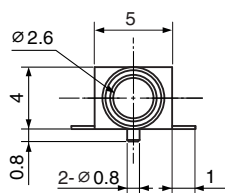
Schematic		Notes
Packaging Style		
Taping Packaging	HSJ2047-019010	900pcs/reel

**HSJ1169**



**HSJ1169-012410**

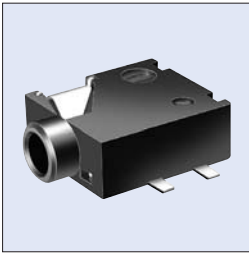
**h=2mm**



PCB Layout  
(Top View)

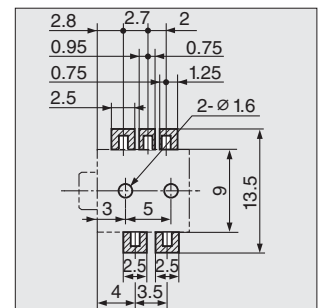
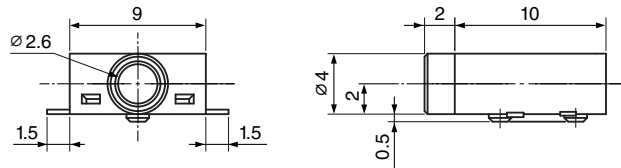
Schematic		Notes
Packaging Style		
Bulk	HSJ1169-012410	Hand Soldering Only
Taping Packaging	HSJ1169-019410	1000pcs/reel

**HSJ1612**



**HSJ1612-019711**

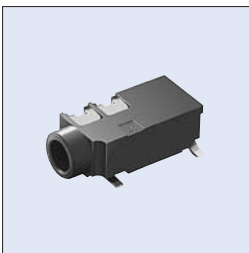
*h*=2mm



PCB Layout  
(Top View)

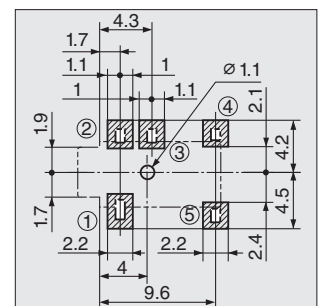
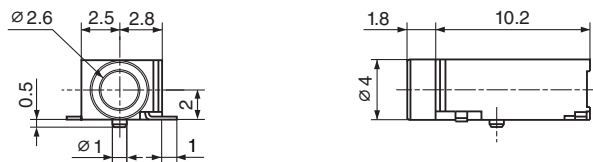
Schematic		Notes
Packaging Style		
Bulk	HSJ1612-012711	Hand Soldering Only
Taping Packaging	HSJ1612-019711	1000pcs/reel

**HSJ1660**



**HSJ1660-019570**

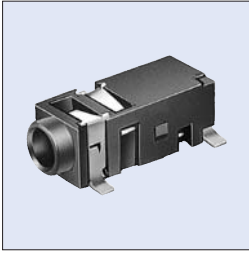
*h*=2mm



PCB Layout  
(Top View)

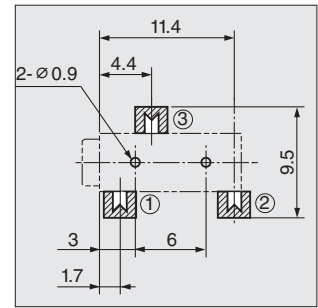
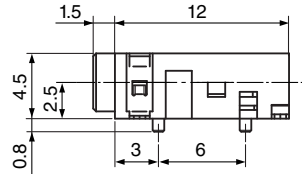
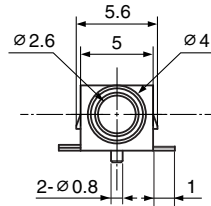
Schematic		Notes
Packaging Style		
Taping Packaging	HSJ1660-019570	1000pcs/reel

**HSJ1603**



**HSJ1603-010010**

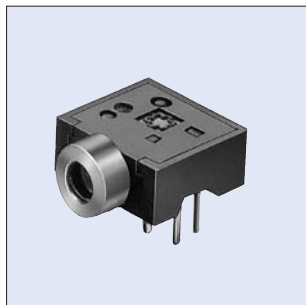
***h*=2.5mm**



**PCB Layout**  
(Top View)

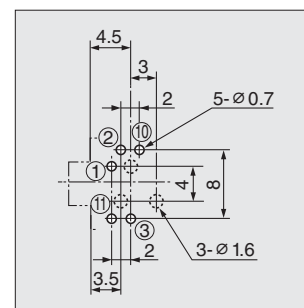
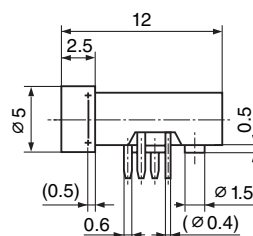
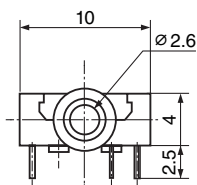
Schematic			Notes
Packaging Style			
Bulk	HSJ1603-010010	HSJ1603-010020	Hand Soldering Only
Taping Packaging	HSJ1603-011010	HSJ1603-011020	1000pcs/reel

**HSJ1102**



**HSJ1102-0105109**

*h*=2.5(2)mm

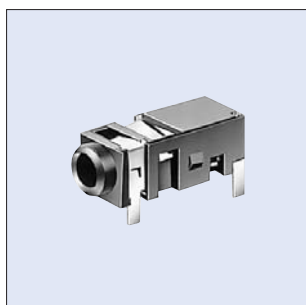


Hole Layout  
(Bottom View)

Schematic						
Housing Color						
Black	HSJ1102-0105109	HSJ1102-018520	HSJ1102-0105309	HSJ1102-018540	HSJ1102-0105509	HSJ1102-0105609

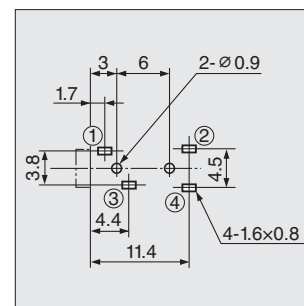
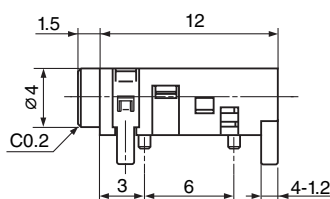
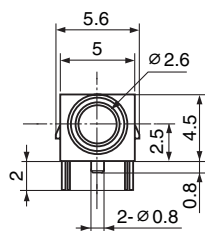
※ In the case of *h*=2mm make a hole at broken line.

**HSJ1650**



**HSJ1650-010020**

*h*=2.5mm

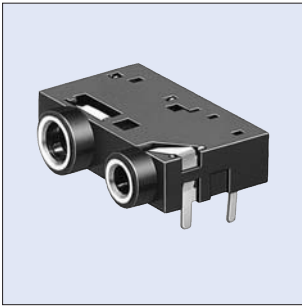


Hole Layout  
(Bottom View)

Schematic		
Housing Color		
Black	HSJ1650-010020	HSJ1650-010040

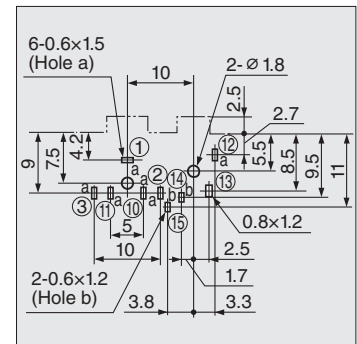
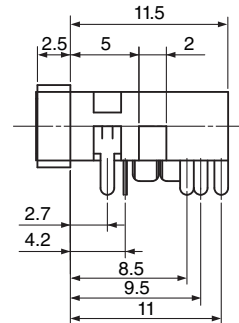
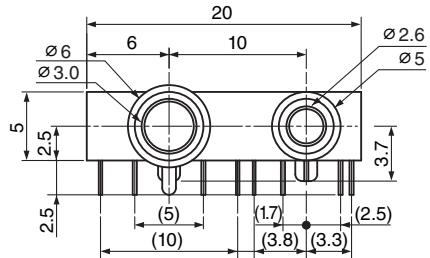
**HSJ1468**

φ3.5・φ2.5 コンビネーション小形ジャック / 3.5 DIA & 2.5 DIA Combinations Miniature Jacks



**HSJ1468-0100109**

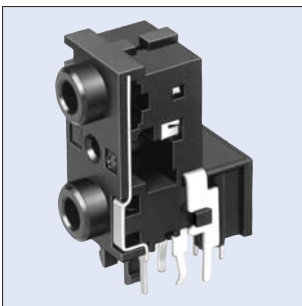
*h*=2.5mm



Hole Layout  
(Bottom View)

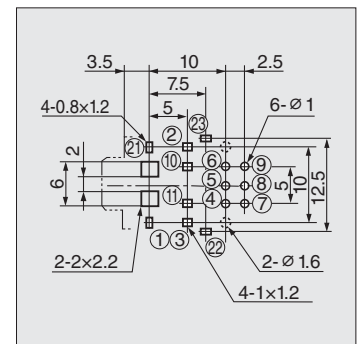
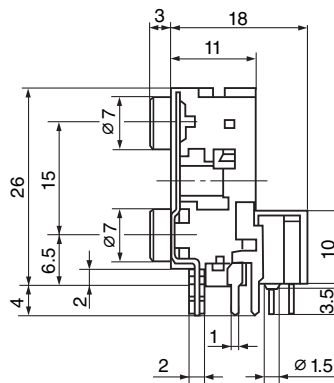
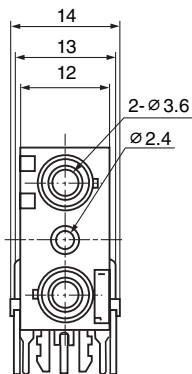
Schematic	φ3.5	φ3.5	φ3.5	φ3.5	φ3.5	φ3.5
	①	①	①	①	①	①
Housing Color	②	②	②	②	②	②
	③	③	③	③	③	③
Black	④	④	④	④	④	④
	⑤	⑤	⑤	⑤	⑤	⑤
Black	⑥	⑥	⑥	⑥	⑥	⑥
	⑦	⑦	⑦	⑦	⑦	⑦
Black	⑧	⑧	⑧	⑧	⑧	⑧
	⑨	⑨	⑨	⑨	⑨	⑨
Black	⑩	⑩	⑩	⑩	⑩	⑩
	⑪	⑪	⑪	⑪	⑪	⑪
Black	⑫	⑫	⑫	⑫	⑫	⑫
	⑬	⑬	⑬	⑬	⑬	⑬
Black	⑭	⑭	⑭	⑭	⑭	⑭
	⑮	⑮	⑮	⑮	⑮	⑮

**HSJ1001**



**HSJ1001-0160108**

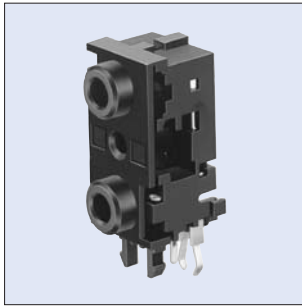
*h*=6.5mm



Hole Layout  
(Bottom View)

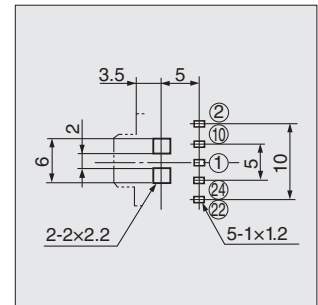
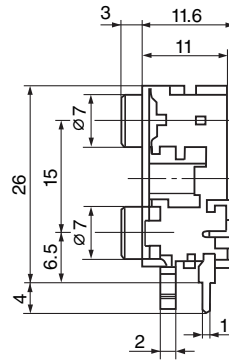
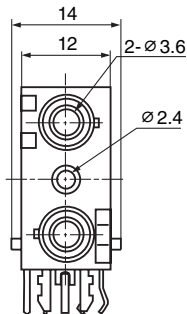
Schematic	①	①
	②	②
Housing Color	③	③
	④	④
Black	⑤	⑤
	⑥	⑥
Green	⑦	⑦
	⑧	⑧
Green	⑨	⑨
	⑩	⑩
Green	⑪	⑪
	⑫	⑫
Green	⑬	⑬
	⑭	⑭
Green	⑮	⑮
	⑯	⑯
Green	⑰	⑰
	⑱	⑱
Green	⑲	⑲
	⑳	⑳

**HSJ1002**



**HSJ1002-016010**

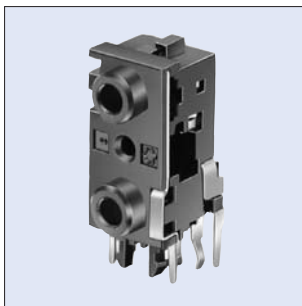
*h*=6.5mm



Hole Layout  
(Bottom View)

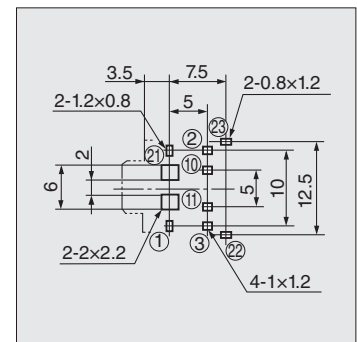
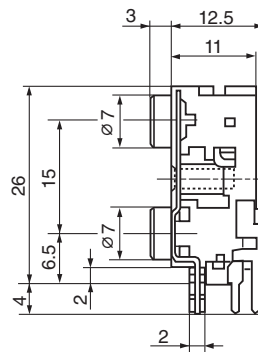
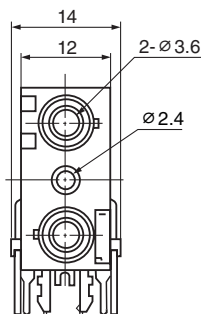
Schematic				
Housing Color	Black	Black	Black	Black
	HSJ1002-016010	HSJ1002-016020	HSJ1002-016030	HSJ1002-016040

**HSJ1003**



**HSJ1003-016010**

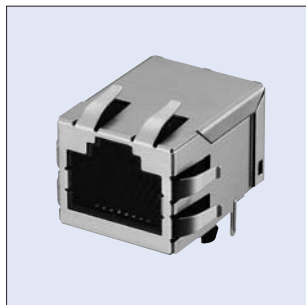
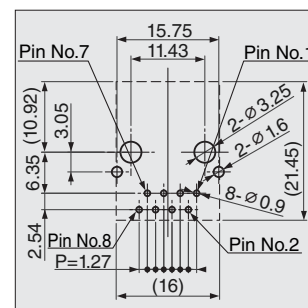
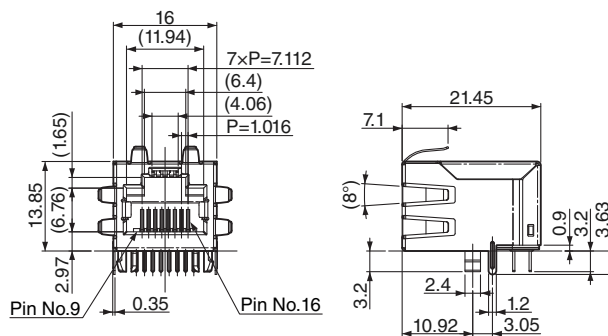
*h*=6.5mm



Hole Layout  
(Bottom View)

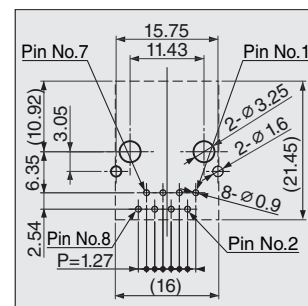
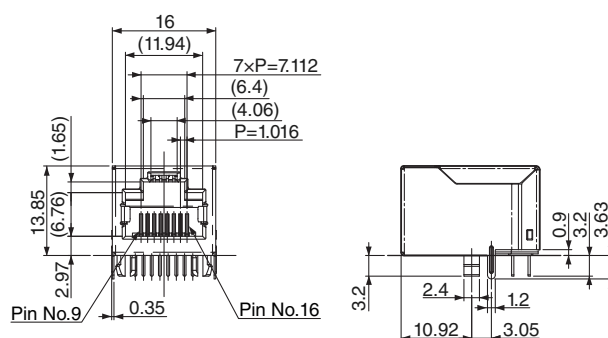
Schematic		
Housing Color	Black	Black
	HSJ1003-016010	HSJ1003-016020

### HJC9000


**HJC9000-010030**

**PCB Layout**  
(Top View)

定格 Rated	115V AC max.
絶縁抵抗 Contact Resistance	100MΩ min. at 500V DC
耐電圧 Withstanding Voltage	1500V AC / 1 minute

### HJC9000


**HJC9000-010110**

**PCB Layout**  
(Top View)

定格 Rated	115V AC max.
絶縁抵抗 Contact Resistance	100MΩ min. at 500V DC
耐電圧 Withstanding Voltage	1500V AC / 1 minute



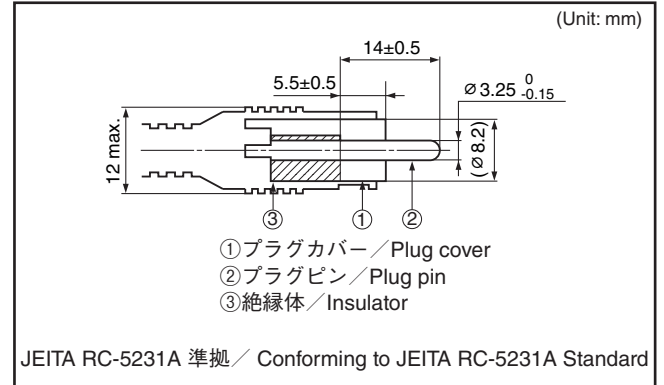
ピンジャックは3連タイプまで品揃えしております。基板高さ、ボディ色、形状(縦型・横型)、回路、取付孔有無、樹脂爪有無、絶縁リング有無、鍍金(ニッケル・金)など、多種バリエーションを取り揃えております。

Pin jacks available single type, Dual type and triple type. Various Jacks are available such as PC Board height, Body Color, Shape, Schematic, Installation hole, Plastic hooks, Insulation ring, Plated.

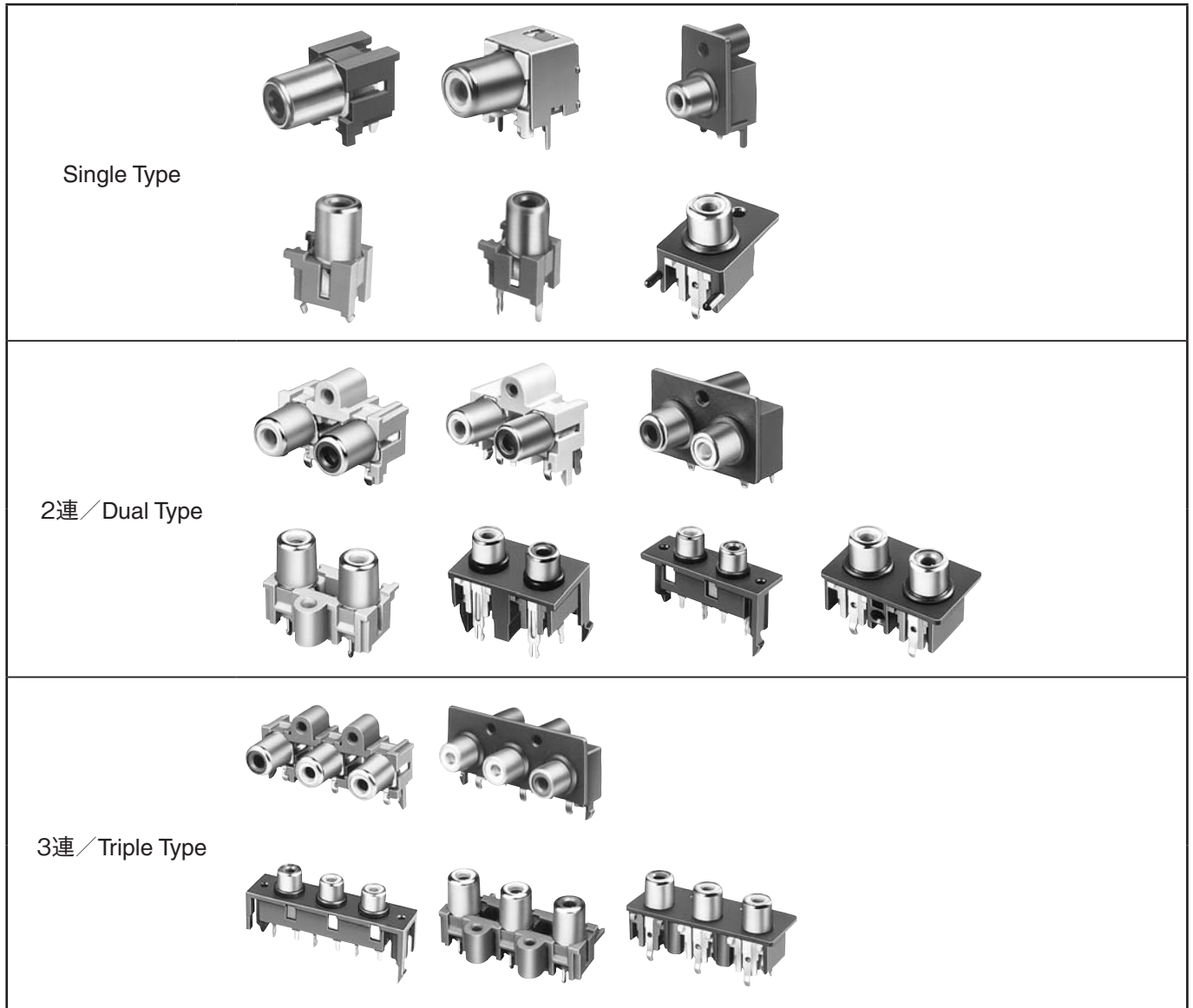
### 仕様 / Specifications

接触抵抗 Contact Resistance	プラグ・可動接片間 Between Plug and Terminals	30mΩ max.
	切換スイッチ接点 Switch Part	30mΩ max.
絶縁抵抗 Insulation Resistance		100MΩ min. at 500V DC
耐電圧 Withstanding Voltage		500V AC(r.m.s.) for 1 minute
挿入力 Insertion Force		30N max.
抜去力 Withdrawal Force		1N - 15N

### 適合プラグ / Mate Plug

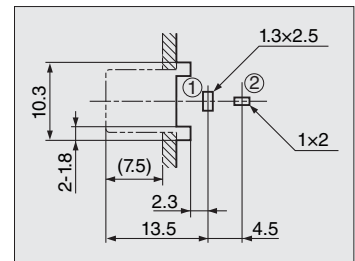
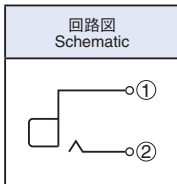
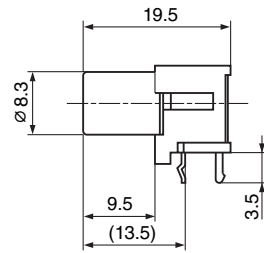
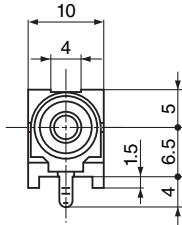
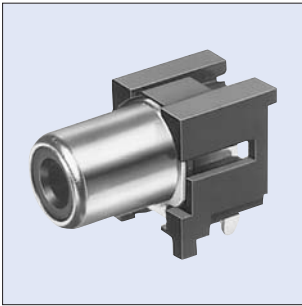


### 形状 / Shape



**JPJ2025**

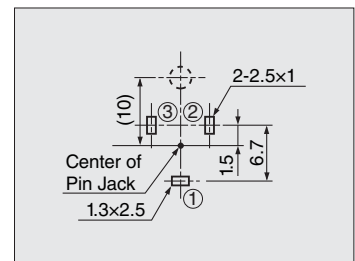
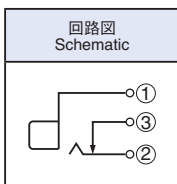
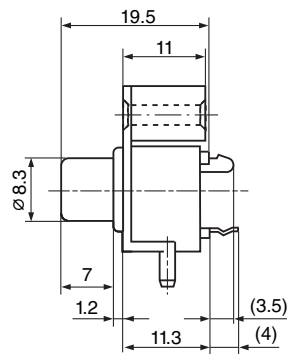
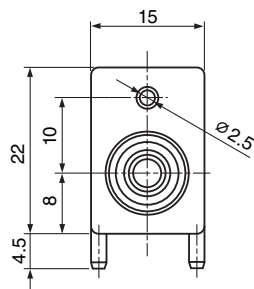
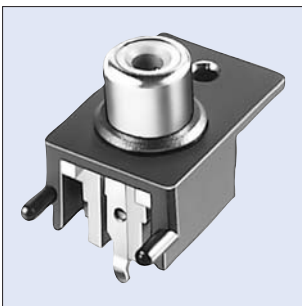
Horizontal Type



Hole Layout  
(Bottom View)

**JPJ1055**

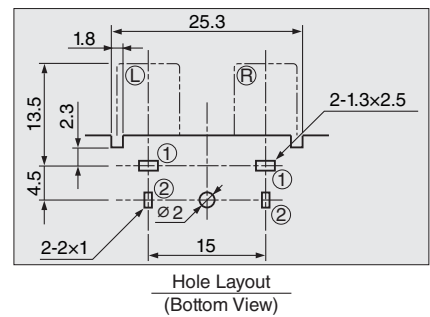
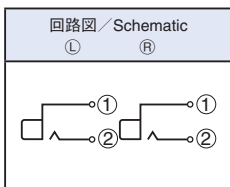
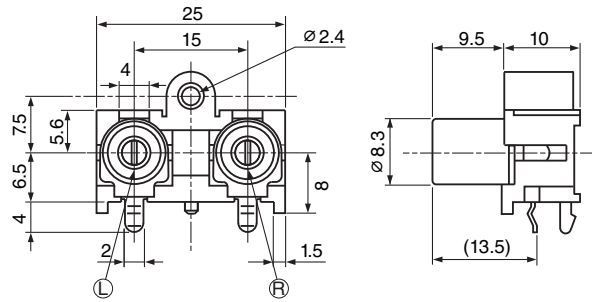
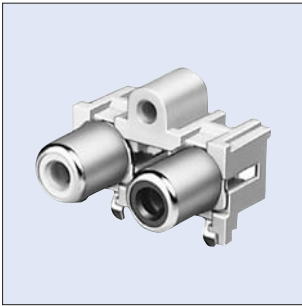
Vertical Type



Hole Layout  
(Bottom View)

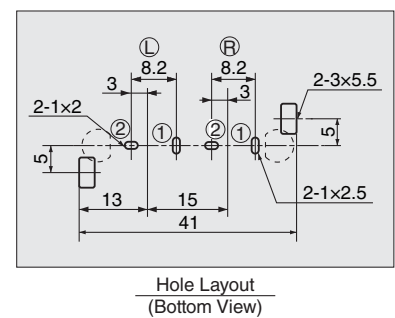
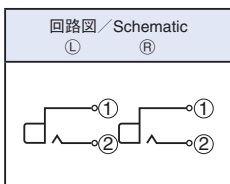
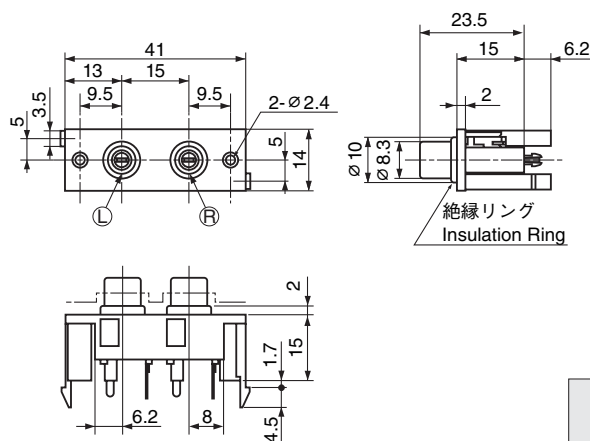
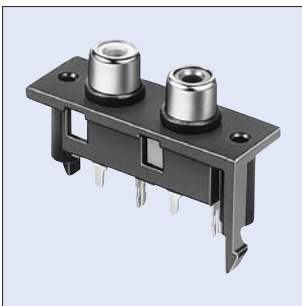
**JPJ1611**

Horizontal Type



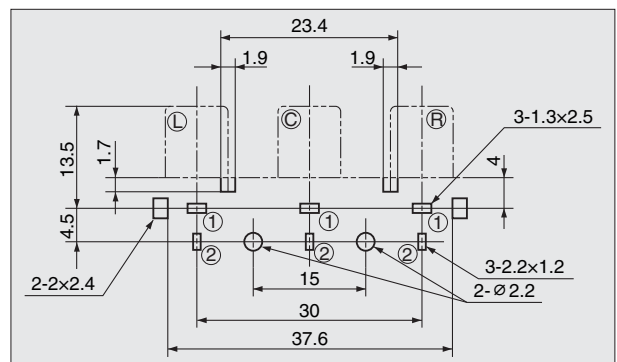
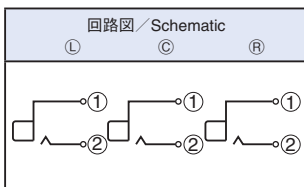
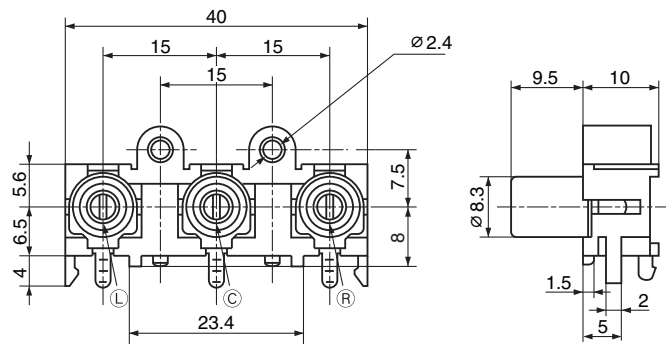
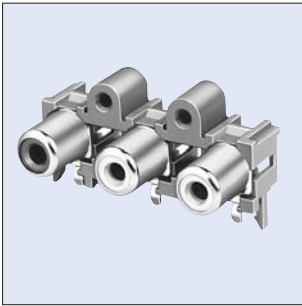
**JPJ1151**

Vertical Type



**JPJ4668**

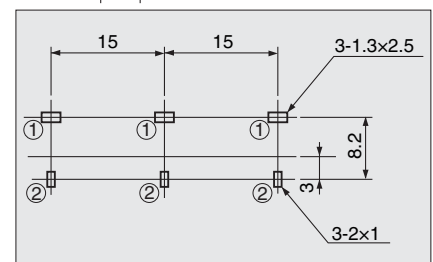
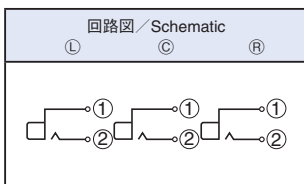
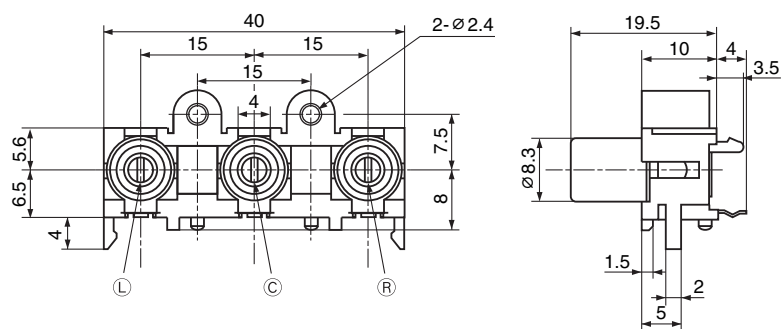
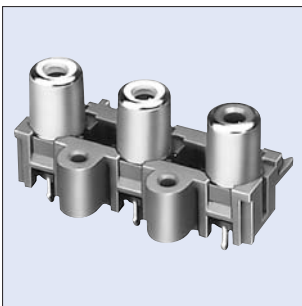
**Horizontal Type**



Hole Layout  
(Bottom View)

**JPJ4658**

**Vertical Type**



Hole Layout  
(Bottom View)

Model No. Table

Model No.	Page						
HJC9000	23	HSJ1468	21	HSJ1660	18	HSJ2047	17
HJC9001	24	HSJ1493	9	HSJ1671	16	HSJ2077	7
HSJ1001	21	HSJ1494	9	HSJ1677	12	HSJ2630	13
HSJ1002	22	HSJ1501	8	HSJ1680	12	HSJ2636	7,9
HSJ1003	22	HSJ1537	11	HSJ1715	10	JPJ1055	26
HSJ1013	14	HSJ1594	10	HSJ1757	15	JPJ1151	27
HSJ1102	20	HSJ1601	8	HSJ1765	6	JPJ1611	27
HSJ1169	17	HSJ1603	19	HSJ1828	6	JPJ2025	26
HSJ1403	12	HSJ1612	18	HSJ1938	14	JPJ4658	28
HSJ1406	13	HSJ1621	15	HSJ2000	12	JPJ4668	28
HSJ1453	12	HSJ1636	7,9	HSJ2013	14		
HSJ1456	11	HSJ1650	20	HSJ2046	16		



http://www.hosiden.co.jp

本社

〒581-0071 大阪府八尾市北久宝寺1-4-33  
Tel : 072-993-1010 Fax : 072-994-5101

大阪営業部

〒581-0071 大阪府八尾市北久宝寺1-4-33  
Tel : 072-993-1010 Fax : 072-994-8506

東京営業部

〒222-0037 横浜市港北区大倉山1-8-3  
Tel : 045-546-1217 Fax : 045-542-8080

欧米営業部

〒581-0071 大阪府八尾市北久宝寺1-4-33  
Tel : 072-993-1010 Fax : 072-924-8937

アジア営業部

〒581-0071 大阪府八尾市北久宝寺1-4-33  
Tel : 072-993-1010 Fax : 072-994-8506

西東京営業所

〒190-0022 東京都立川市錦町3-5-22 (ジブラルタ生命立川ビル6F)  
Tel : 042-525-3223 Fax : 042-525-3224

名古屋営業所

〒465-0024 名古屋市名東区本郷2-177 (第3幸楽ビル2-C)  
Tel : 052-775-5570 Fax : 052-775-2285

株式会社 サトレックス

本社

〒537-0025 大阪市東成区中道3-15-16 (毎日東ビル3F)  
Tel : 06-6974-3303 Fax : 06-6974-3305

東京営業所

〒222-0037 横浜市港北区大倉山1-8-3 (ホシデン東京支社ビル4F)  
Tel : 045-546-9451 Fax : 045-546-9452



http://www.hosiden.com

Head Office

4-33, Kitakyuhoji 1-chome, Yao-city, Osaka 581-0071, Japan  
Phone : +81-72-993-1010 Fax : +81-72-994-5101

Japan

Overseas Division :

4-33, Kitakyuhoji 1-chome, Yao-city, Osaka 581-0071, Japan  
Phone : +81-72-993-1010 Fax : +81-72-924-8937

China

Hosiden Electronics(Shanghai) Co., Ltd.

Room 10-11, 13<sup>th</sup> Floor, MAXDO Center, Xing-Yi Road, Chang-Ning District, Shanghai China  
Phone : +86-21-5208-1488 Fax : +86-21-5208-1480

Hosiden (Shenzhen) Co., Ltd.

Room 3818, Changping Commercial Building, Honghua Road, Futian Free Trade Zone, Shenzhen, China  
Phone : +86-755-8348-0952 Fax : +86-755-8359-7722

Hong Kong

Hong Kong Hosiden Ltd.

33, Tseuk Luk Street, 6/F-A San Po Kong, Kowloon, Hong Kong  
Phone : +852-23238181 Fax : +852-23520425

Taiwan

Taiwan Hosiden Co., Ltd.

10F, No.116, Nanking East Road Sec. 2, Taipei, Taiwan  
Phone : +886-2-2571-0017 Fax : +886-2-2561-6413

Singapore

Hosiden Singapore Pte. Ltd.

28, Genting, Lane, #04-06/07, Platinum 28, Singapore 349585  
Phone : +65-6296-8100 Fax : +65-6296-8300

Malaysia

Hosiden Corporation(M)Sdn. Bhd.

Lot1,Jalan P/1A,Bangi,Industrial Estate,43650 Bander Baru Bangi, Selangor Darul Ehsan,Malaysia  
Phone : +60-3-8925-8655 Fax : +60-3-8926-6122

Thailand

Hosiden (Thailand) Co., Ltd.

889 THAI CC TOWER, 21 Floor, Room 212, South Sathorn Road., Kwaeng Yannawa, Khet Sathorn, Bangkok 10120, Thailand  
Phone : +66-2-673-9760, 9761 Fax : +66-2-673-9762

Germany

Hosiden Europe GmbH

Head Office

Graf-Recke-Straße 82, 40239 Düsseldorf, Germany  
Phone : +49-211-96493-0 Fax : +49-211-96493-90

France

Branch office Paris

13, rue Camille Desmoulins 92441 Issy Les Moulineaux, France  
Phone : +33-1-5804-2484 Fax : +33-1-5804-2300

U.K.

Hosiden Besson Ltd.

11 St. Joseph's Trading Estate St. Joseph's Close, Hove, East Sussex, BN3 7EZ, United Kingdom  
Phone : +44-1273-860000 Fax : +44-1273-777501

U.S.A.

Hosiden America Corp.

Head Office

120 East State Parkway, Schaumburg, IL, 60173, U.S.A.  
Phone : +1-847-885-8870 Fax : +1-847-885-0063

San Jose Sales Office

550 South Winchester Boulevard, Suite 320, San Jose, CA 95128, U.S.A.  
Phone : +1-408-985-8780 Fax : +1-408-985-8785

Detroit Sales Office

28970 Cabot Drive, Suite 600, Novi, MI 48377, U.S.A.  
Phone : +1-248-489-0174 Fax : +1-248-489-1154

- ・製品の改良などにより、当カタログの記載内容を予告無く変更する場合があります。また、当カタログに掲載された製品は予告なく製造中止することがあります。
- ・当カタログの掲載製品は全てRoHS指令に適合しています。
- ・The contents described in this catalog may be changed without prior notice due to products improvements or discontinuance of production.
- ・Every product in this catalog is compliant to RoHS directive.

⚠ 安全に関するご注意

ご使用の際は、納入仕様書を確認の上、正しくお使いください。

⚠ CAUTION FOR SAFETY

Please use our products properly based on our Drawing and Specification.