

# USB Connectors

# HDMI Connectors

# DisplayPort Connectors

# Card Connectors



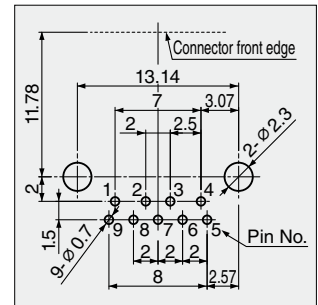
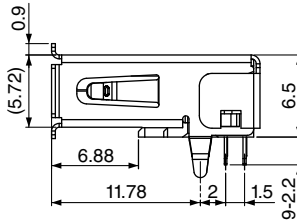
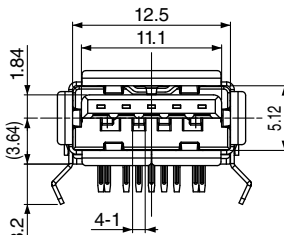
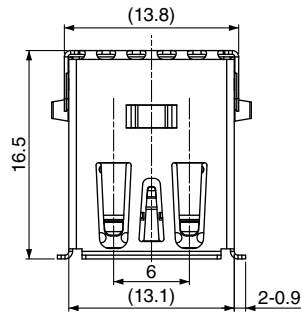
<b>Contents</b> .....	1
<b>USB3.0 Connectors</b>	
<b>Standard-A Receptacles</b> .....	2 - 3
<b>Standard-B Receptacles</b> .....	3
<b>Standard-A Plugs</b> .....	4
<b>Micro-B Receptacles</b> .....	5 - 6
<b>Plug Cables</b> .....	7 - 8
<b>USB Connectors</b>	
<b>Standard-A Receptacles</b> .....	9 - 10
<b>Standard-B Receptacles</b> .....	11
<b>Mini-B Receptacles</b> .....	12 - 13
<b>Mini-B Plugs</b> .....	14
<b>Micro-AB Receptacles</b> .....	15
<b>Micro-B Receptacles</b> .....	15 - 16
<b>Micro-A Plugs</b> .....	17
<b>Micro-B Plugs</b> .....	17
<b>Plug Cables</b> .....	18
<b>HDMI Connectors</b>	
<b>Type A Receptacles</b> .....	19 - 22
<b>Type A Plugs</b> .....	22
<b>Type C Receptacles</b> .....	23
<b>Type D Receptacles</b> .....	24
<b>Plug Cables (Type A plug - Type D plug)</b> .....	25
<b>Type E Receptacles</b> .....	26
<b>Plug Cables (Type E plug - Type E plug)</b> .....	26
<b>DisplayPort Connectors</b>	
<b>Receptacles</b> .....	27 - 28
<b>Plugs</b> .....	29
<b>Plug Cables</b> .....	29
<b>Cable Adapters</b> .....	30 - 31
<b>IC Card Connectors</b> .....	32
<b>Smart Card Connectors</b> .....	33
<b>microSD Card Connectors</b> .....	34

**CMS1600**

**Standard-A Receptacle**



**CMS1600-010020**

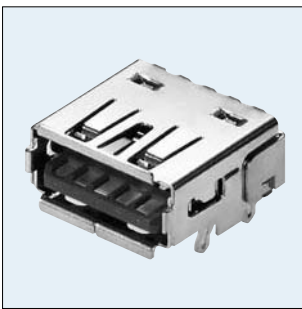


Hole Layout  
(Bottom View)

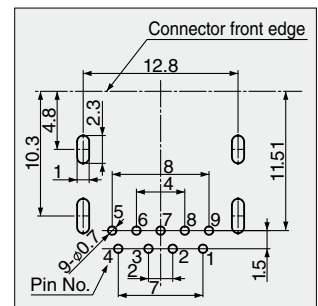
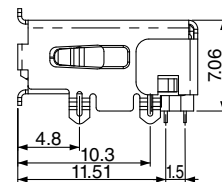
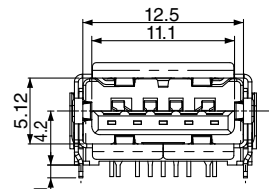
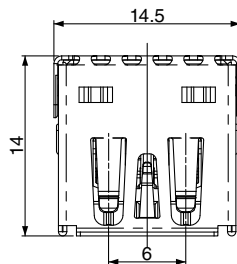
Rated	Power Line : 1.8A 30V AC Signal Line : 0.25A 30V AC
Contact Resistance	• Power-Ground Initial : 30mΩ max. • Other Contacts Initial : 50mΩ max.
Insulation Resistance	100MΩ min. at 100V DC
Withstanding Voltage	100V AC/1 minute
Insertion & Withdrawal Force	Insertion Force Initial : 35N max. Withdrawal Force Initial : 10N min.

**CMS1605**

**Standard-A Receptacle**



**CMS1605-010010**



Hole Layout  
(Bottom View)

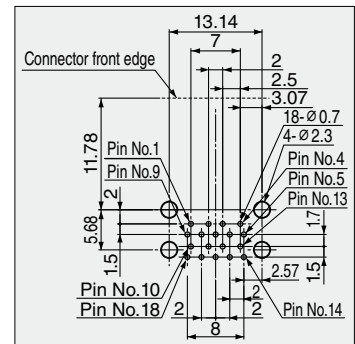
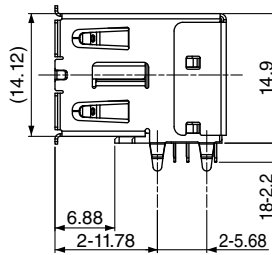
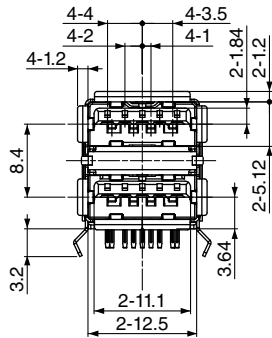
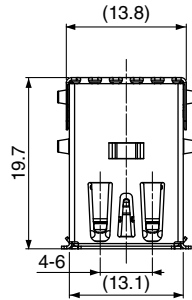
Rated	Power Line : 1.8A 30V AC Signal Line : 0.25A 30V AC
Contact Resistance	• Power-Ground Initial : 30mΩ max. • Other Contacts Initial : 50mΩ max.
Insulation Resistance	100MΩ min. at 100V DC
Withstanding Voltage	100V AC/1 minute
Insertion & Withdrawal Force	Insertion Force Initial : 35N max. Withdrawal Force Initial : 10N min.

**CMS1610**

**Standard-A Receptacle**



**CMS1610-010020**



**Hole Layout  
(Bottom View)**

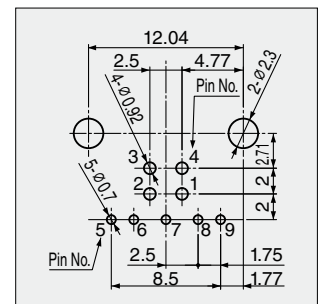
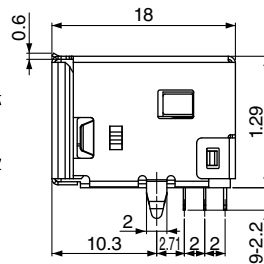
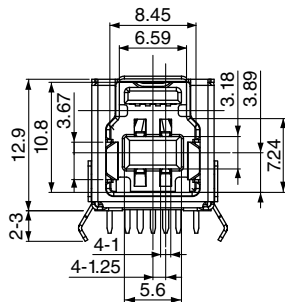
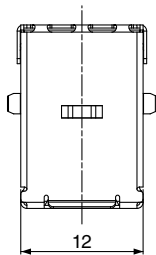
Rated	Power Line : 1.8A 30V AC Signal Line : 0.25A 30V AC
Contact Resistance	• Power-Ground Initial : 30mΩ max. • Other Contacts Initial : 50mΩ max.
Insulation Resistance	100MΩ min. at 100V DC
Withstanding Voltage	100V AC/1 minute
Insertion & Withdrawal Force	Insertion Force Initial : 35N max. Withdrawal Force Initial : 10N min.

**CMS1620**

**Standard-B Receptacle**



**CMS1620-010020**



**Hole Layout  
(Bottom View)**

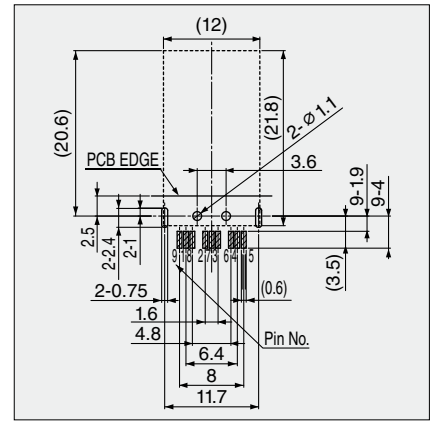
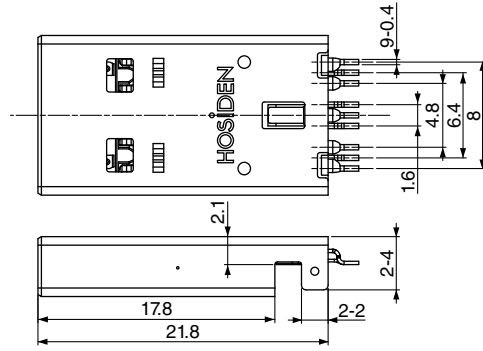
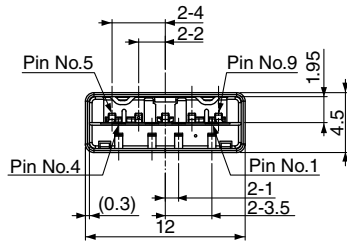
Rated	Power Line : 1.8A 30V AC Signal Line : 0.25A 30V AC
Contact Resistance	• Power-Ground Initial : 30mΩ max. • Other Contacts Initial : 50mΩ max.
Insulation Resistance	100MΩ min. at 100V DC
Withstanding Voltage	100V AC/1 minute
Insertion & Withdrawal Force	Insertion Force Initial : 35N max. Withdrawal Force Initial : 10N min.

**CMS1630**

Standard-A SMT Plug



**CMS1630-010020**



PCB Layout  
(Top View)

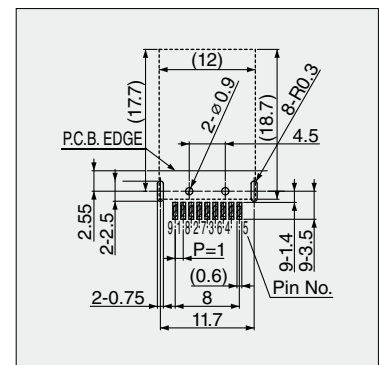
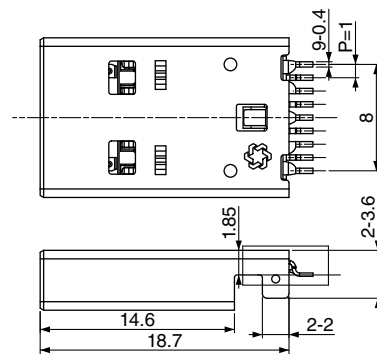
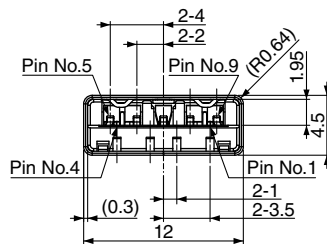
Rated	Power Line : 1.8A 30V AC Signal Line : 0.25A 30V AC
Contact Resistance	• Power-Ground Initial : 30mΩ max. • Other Contacts Initial : 50mΩ max.
Insulation Resistance	100MΩ min. at 100V DC
Withstanding Voltage	100V AC/1 minute
Insertion & Withdrawal Force	Insertion Force Initial : 35N max. Withdrawal Force Initial : 10N min.

**CMS1631**

Standard-A SMT Plug



**CMS1631-010010**



PCB Layout  
(Top View)

Rated	Power Line : 1.8A 30V AC Signal Line : 0.25A 30V AC
Contact Resistance	• Power-Ground Initial : 30mΩ max. • Other Contacts Initial : 50mΩ max.
Insulation Resistance	100MΩ min. at 100V DC
Withstanding Voltage	100V AC/1 minute
Insertion & Withdrawal Force	Insertion Force Initial : 35N max. Withdrawal Force Initial : 10N min.

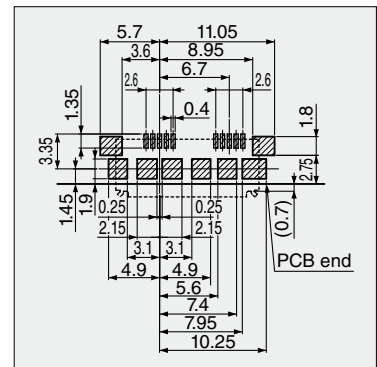
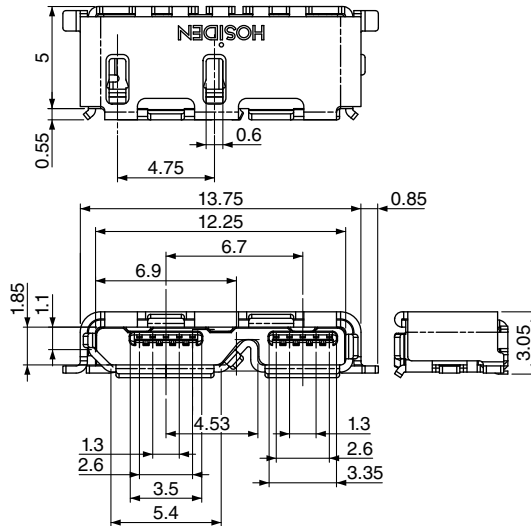
**CMS1811**

**Micro-B Receptacle**



**CMS1811-010010**

Rated	Power Line : 1.8A 30V AC Signal Line : 0.25A 30V AC
Contact Resistance	<ul style="list-style-type: none"> <li>• Power-Ground Initial : 30mΩ max.</li> <li>• Other Contacts Initial : 50mΩ max.</li> </ul>
Insulation Resistance	100MΩ min. at 100V DC
Withstanding Voltage	100V AC/1 minute
Insertion & Withdrawal Force	Insertion Force Initial : 35N max. Withdrawal Force Initial : 10N min.



PCB Layout (Top View)

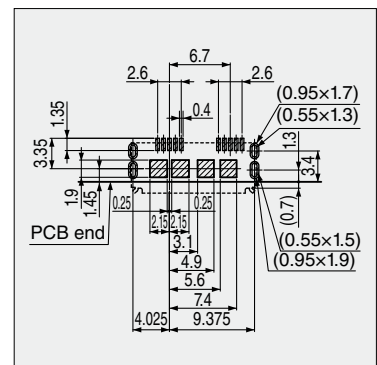
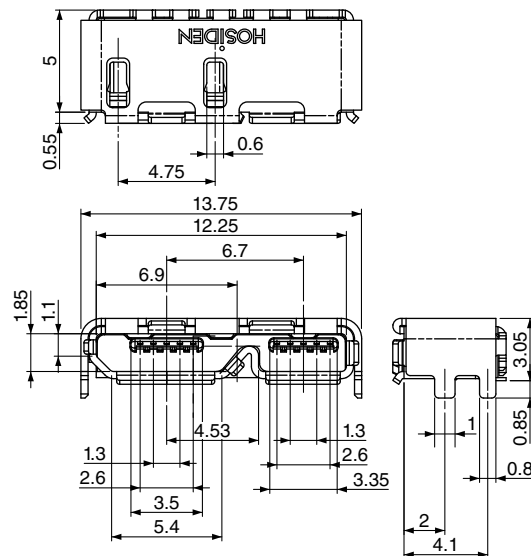
**CMS1821**

**Micro-B Receptacle**



**CMS1821-010010**

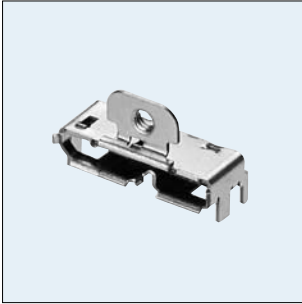
Rated	Power Line : 1.8A 30V AC Signal Line : 0.25A 30V AC
Contact Resistance	<ul style="list-style-type: none"> <li>• Power-Ground Initial : 30mΩ max.</li> <li>• Other Contacts Initial : 50mΩ max.</li> </ul>
Insulation Resistance	100MΩ min. at 100V DC
Withstanding Voltage	100V AC/1 minute
Insertion & Withdrawal Force	Insertion Force Initial : 35N max. Withdrawal Force Initial : 10N min.



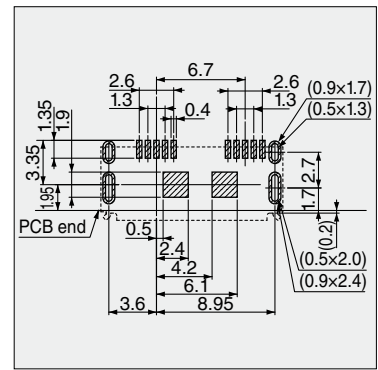
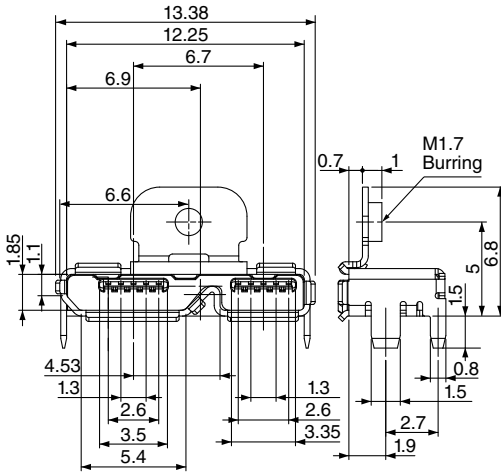
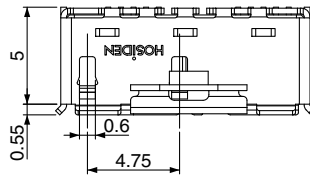
PCB Layout (Top View)

**CMS1825**

**Micro-B Receptacle**



**CMS1825-010010**

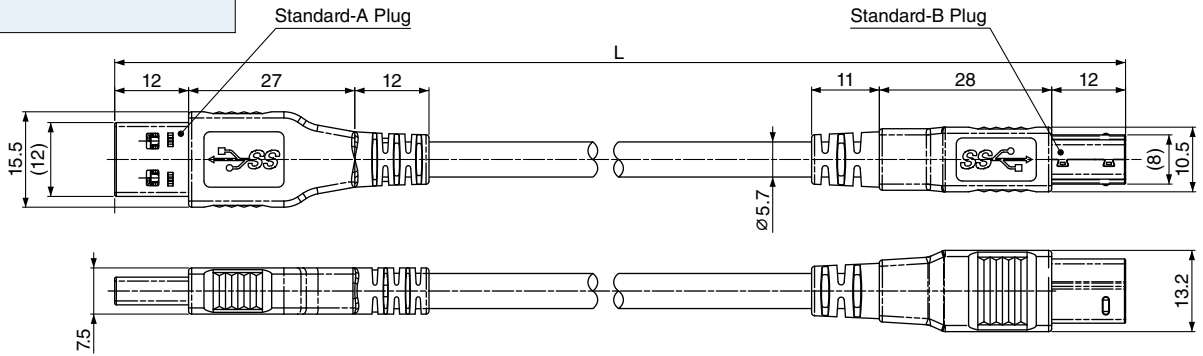


**PCB Layout  
(Top View)**

Rated	Power Line : 1.8A 30V AC Signal Line : 0.25A 30V AC
Contact Resistance	• Power-Ground Initial : 30mΩ max. • Other Contacts Initial : 50mΩ max.
Insulation Resistance	100MΩ min. at 100V DC
Withstanding Voltage	100V AC/1 minute
Insertion & Withdrawal Force	Insertion Force Initial : 35N max. Withdrawal Force Initial : 10N min.

**HPC1645**

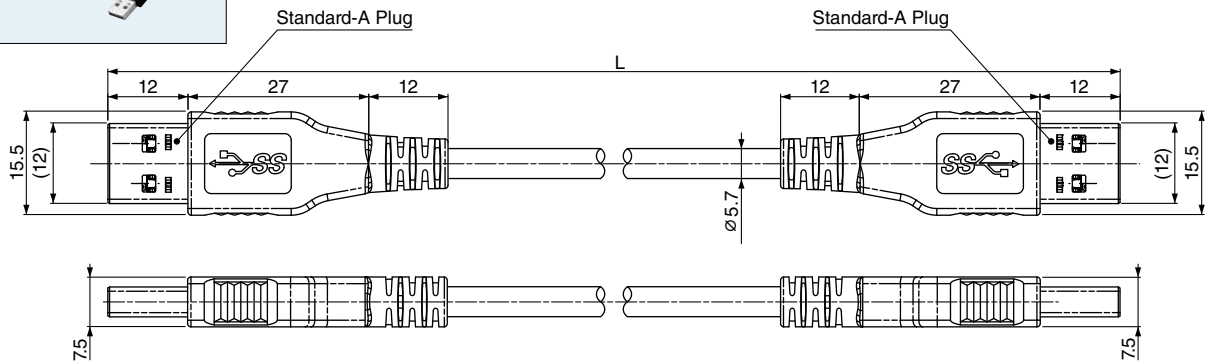
**Plug Cable (Standard-A to Standard-B)**



Model No.	L
HPC1645-010010	1000 ± 50
HPC1645-010020	1500 ± 50
HPC1645-010030	2000 ± 50

**HPC1650**

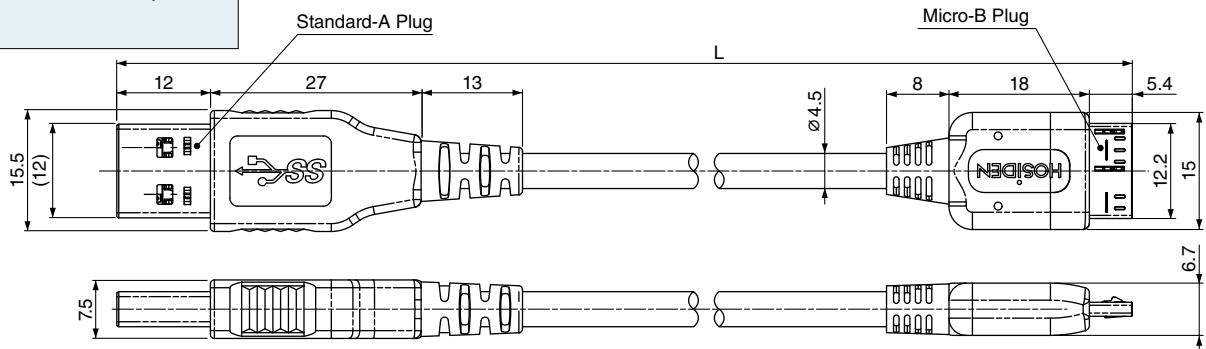
**Plug Cable (Standard-A to Standard-A)**



Model No.	L
HPC1650-010010	1000 ± 50
HPC1650-010020	1500 ± 50
HPC1650-010030	2000 ± 50

**HPC1660**

**Plug Cable (Standard-A to Micro-B)**



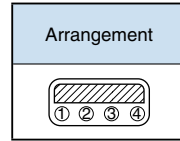
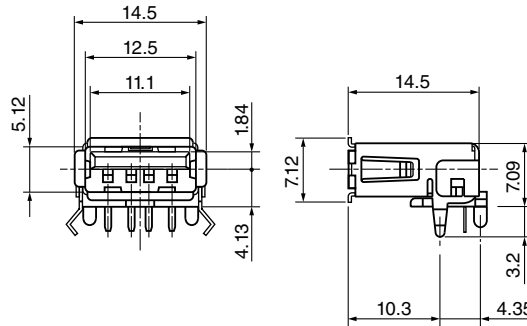
Model No.	L
HPC1660-010010	500 ± 30
HPC1660-010020	800 ± 50
HPC1660-010030	1000 ± 50
HPC1660-010040	1200 ± 50
HPC1660-010050	1500 ± 50

**CMS1400**

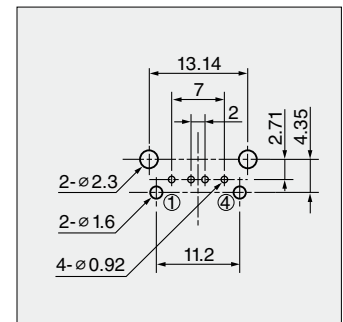
Standard-A Receptacle



**CMS1400-016010**  
Dip Type



Rated	1A 30V AC max.
Contact Resistance	30mΩ max.
Insulation Resistance	1,000MΩ min. at 500V DC
Withstanding Voltage	750V AC for 1 minute
Insertion & Withdrawal force	Insertion 35N max. Withdrawal 10N min.



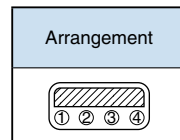
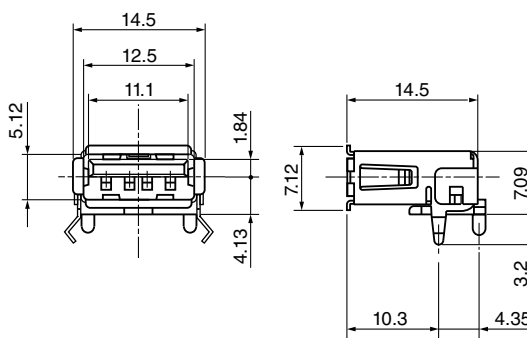
Hole Layout  
(Bottom View)

**CMS1401**

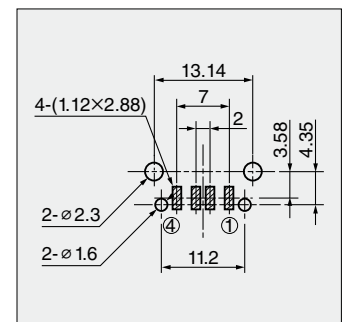
Standard-A Receptacle



**CMS1401-016010**  
SMT Type



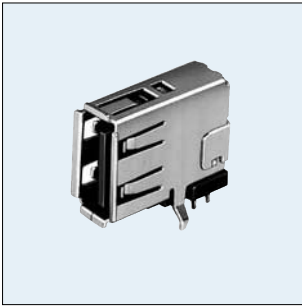
Rated	1A 30V AC max.
Contact Resistance	30mΩ max.
Insulation Resistance	1,000MΩ min. at 500V DC
Withstanding Voltage	750V AC for 1 minute
Insertion & Withdrawal force	Insertion 35N max. Withdrawal 10N min.



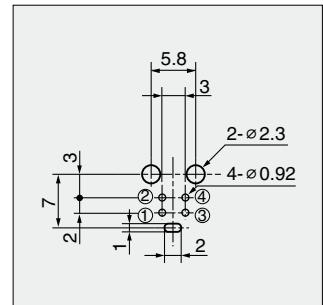
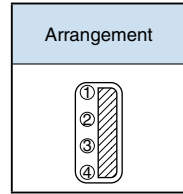
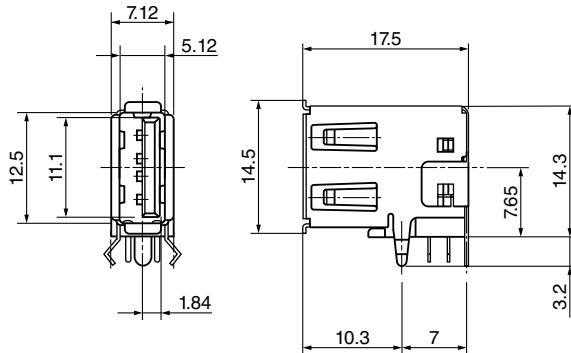
PCB Layout  
(Top View)

**CMS1402**

Standard-A Receptacle



**CMS1402-016011**  
Dip Type



Hole Layout  
(Bottom View)

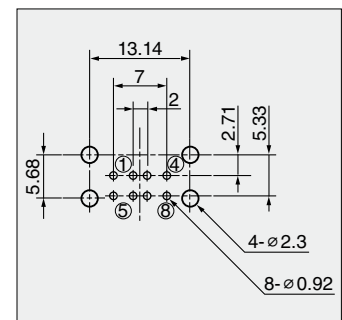
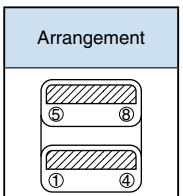
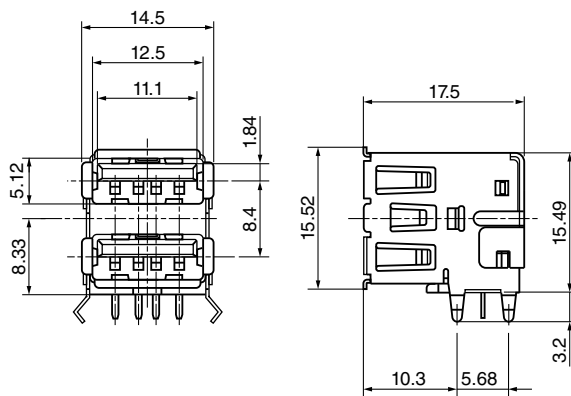
Rated	1A 30V AC max.
Contact Resistance	30m $\Omega$ max.
Insulation Resistance	1,000M $\Omega$ min. at 500V DC
Withstanding Voltage	750V AC for 1 minute
Insertion & Withdrawal force	Insertion 35N max. Withdrawal 10N min.

**CMS1403**

Standard-A Receptacle



**CMS1403-016010**  
Dip Type

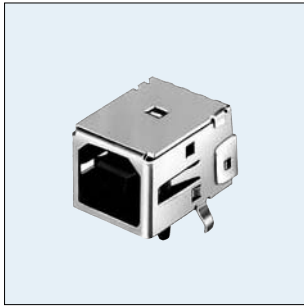


Hole Layout  
(Bottom View)

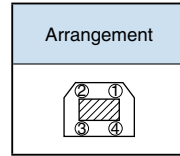
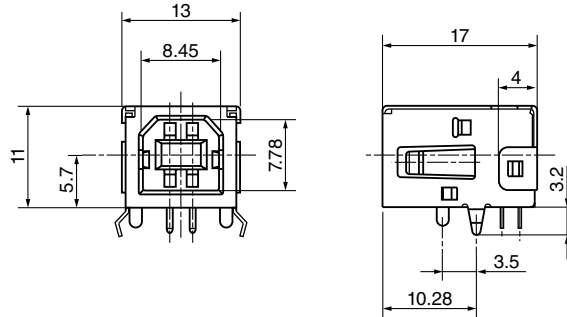
Rated	1A 30V AC max.
Contact Resistance	30m $\Omega$ max.
Insulation Resistance	1,000M $\Omega$ min. at 500V DC
Withstanding Voltage	750V AC for 1 minute
Insertion & Withdrawal force	Insertion 35N max. Withdrawal 10N min.

**CMS1410**

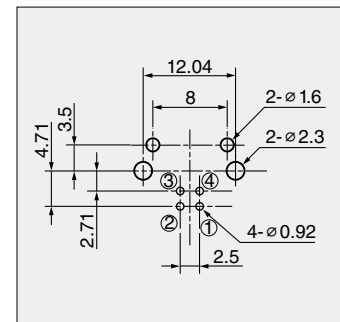
Standard-B Receptacle



**CMS1410-016010**



Rated	1A 30V AC max.
Contact Resistance	30mΩ max.
Insulation Resistance	1,000MΩ min. at 500V DC
Withstanding Voltage	750V AC for 1 minute
Insertion & Withdrawal force	Insertion 35N max. Withdrawal 10N min.



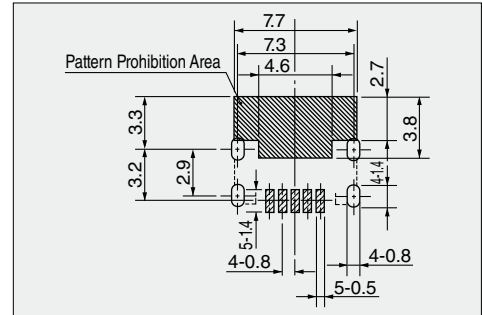
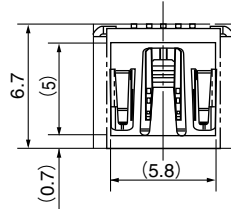
Hole Layout  
(Bottom View)

## CMS1700

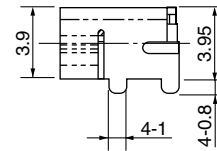
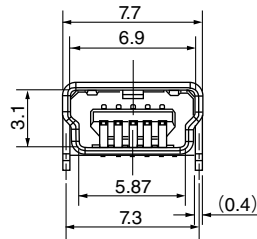
### Mini-B Receptacle



**CMS1700-010150**



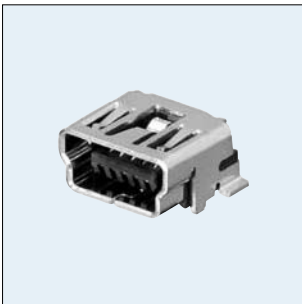
PCB Layout  
(Top View)



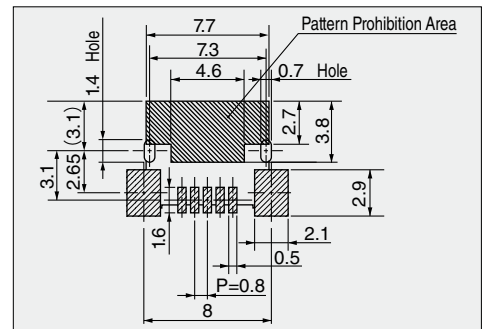
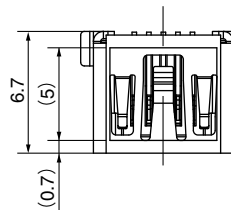
Rated	1A 30V AC/DC max.
Contact Resistance	50mΩ max.
Insulation Resistance	100MΩ min. at 100V DC
Withstanding Voltage	100V AC for 1 minute
Insertion & Withdrawal force	Insertion 35N max. Withdrawal 7N min.

## CMS1702

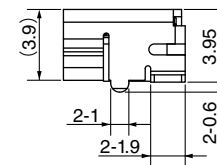
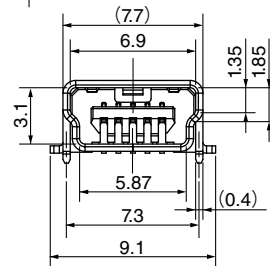
### Mini-B Receptacle



**CMS1702-010030**



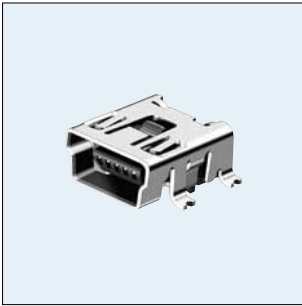
PCB Layout  
(Top View)



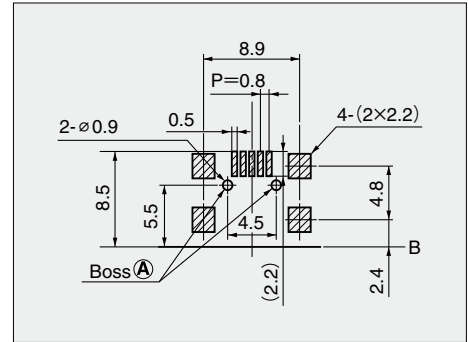
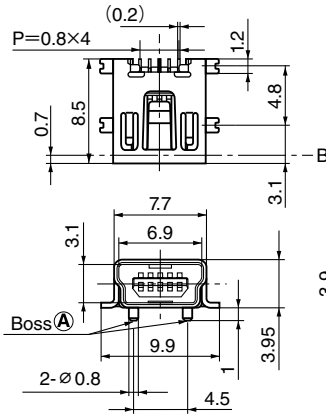
Rated	1A 30V AC/DC max.
Contact Resistance	50mΩ max.
Insulation Resistance	100MΩ min. at 100V DC
Withstanding Voltage	100V AC for 1 minute
Insertion & Withdrawal force	Insertion 35N max. Withdrawal 7N min.

**TCS0101**

**Mini-B Receptacle**



**TCS0101-110177  
SMT Type**



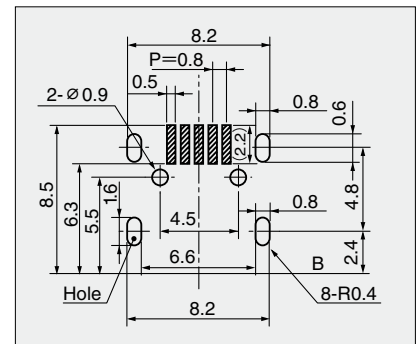
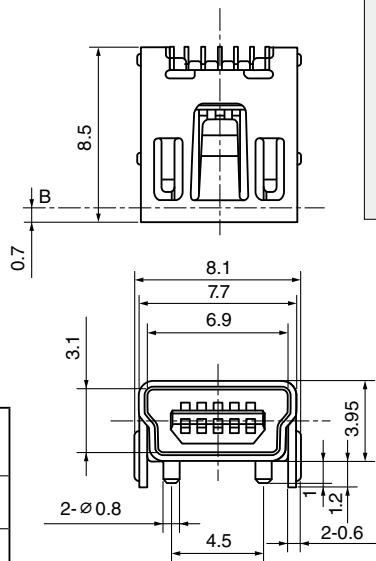
PCB Layout  
(Top View)

Rated	1A 30V AC max. or 0.5A 5.25 DC max.
Contact Resistance	50mΩ max.
Insulation Resistance	100MΩ min. at 500V DC
Withstanding Voltage	100V AC for 1 minute
Insertion & Withdrawal force	Insertion 35N max. Withdrawal 7N min.

BOSS (A)	Model No.
With	TCS0101-110177
Without	TCS0101-310177



**TCS0101-41  
DIP Type**

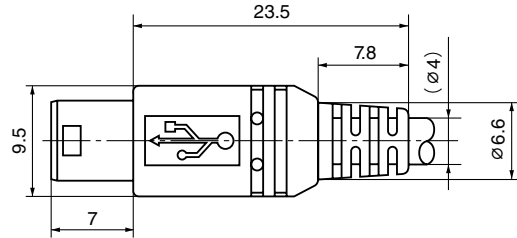
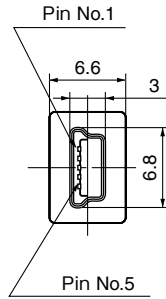
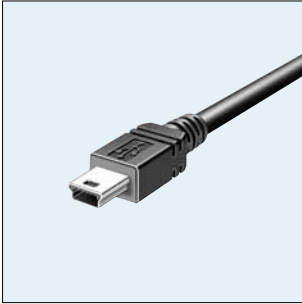


PCB Layout  
(Top View)

Rated	1A 30V AC max. or 0.5A 5.25 DC max.
Contact Resistance	50mΩ max.
Insulation Resistance	100MΩ min. at 500V DC
Withstanding Voltage	100V AC for 1 minute
Insertion & Withdrawal force	Insertion 35N max. Withdrawal 7N min.

**TCS0102**

**Mini-B Plug**

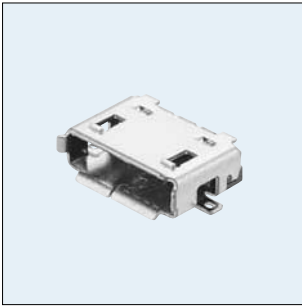


Rated	1A 30V AC max. or 0.5A 5.25V DC max.
Contact Resistance	50mΩ max.
Insulation Resistance	100MΩ min. at 500V DC
Withstanding Voltage	100V AC for 1 minute
Insertion & Withdrawal force	Insertion 35N max. Withdrawal 7N min.

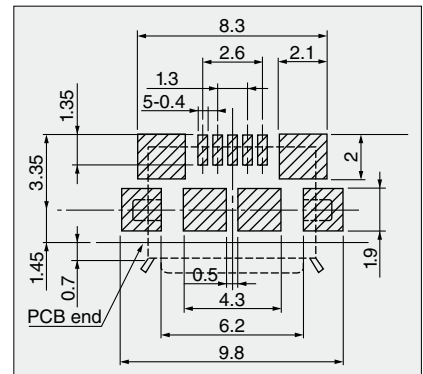
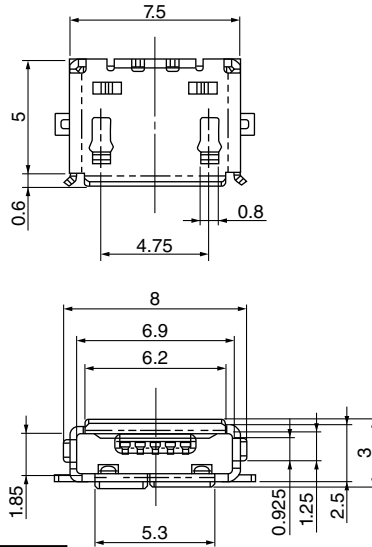
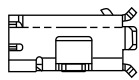
Note: The TCS0102 plugs are made by insertion forming and equipped with Cord.  
Plugs cannot be sold independently.

## CMS1520

### Micro-AB Receptacle



**CMS1520-010010**



PCB Layout  
(Top View)

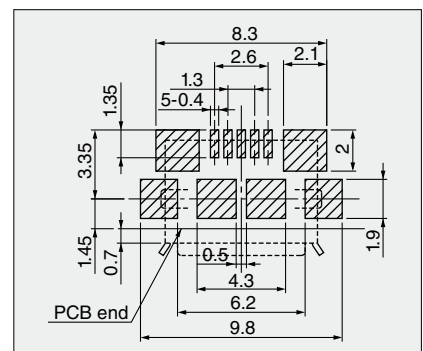
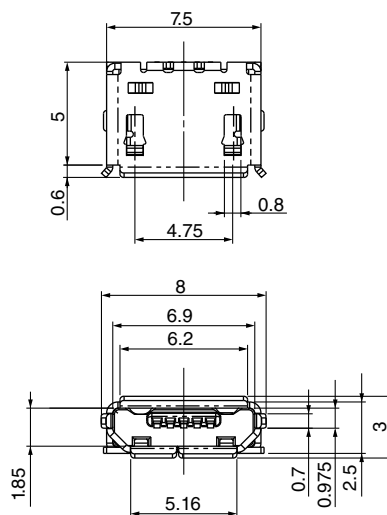
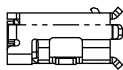
Rated	1A 30V AC max.
Contact Resistance	30mΩ max.
Insulation Resistance	1,000MΩ min. at 100V DC
Withstanding Voltage	100V AC for 1 minute
Insertion & Withdrawal force	Insertion 35N max. Withdrawal 8N min.

## CMS1521

### Micro-B Receptacle



**CMS1521-010010**

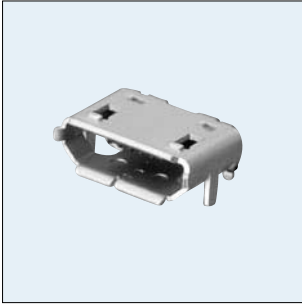


PCB Layout  
(Top View)

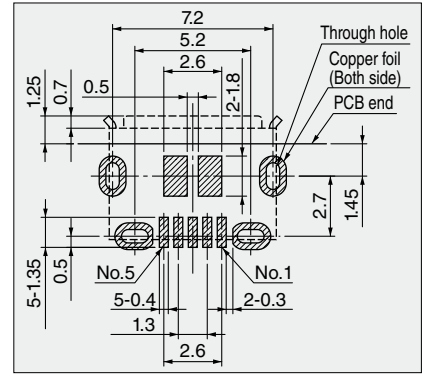
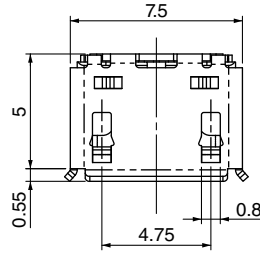
Rated	1A 30V AC max.
Contact Resistance	30mΩ max.
Insulation Resistance	1,000MΩ min. at 100V DC
Withstanding Voltage	100V AC for 1 minute
Insertion & Withdrawal force	Insertion 35N max. Withdrawal 8N min.

**CMS1527**

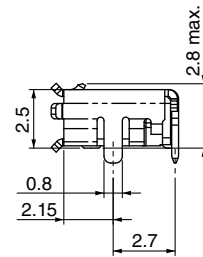
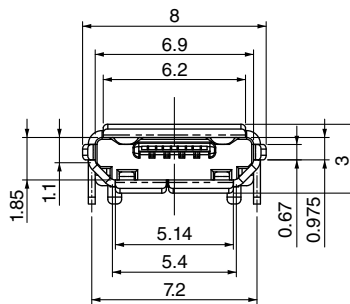
**Micro-B Receptacle**



**CMS1527-010020**



**PCB Layout  
(Top View)**

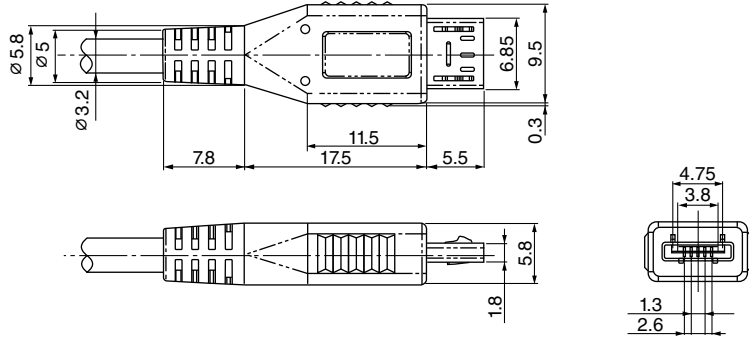


Rated	1A 30V AC max.
Contact Resistance	30mΩ max.
Insulation Resistance	1,000MΩ min. at 100V DC
Withstanding Voltage	100V AC for 1 minute
Insertion & Withdrawal force	Insertion 35N max. Withdrawal 8N min.

**HPC1530\***

**Micro-A Plug**

\*HPC1531 : See table.



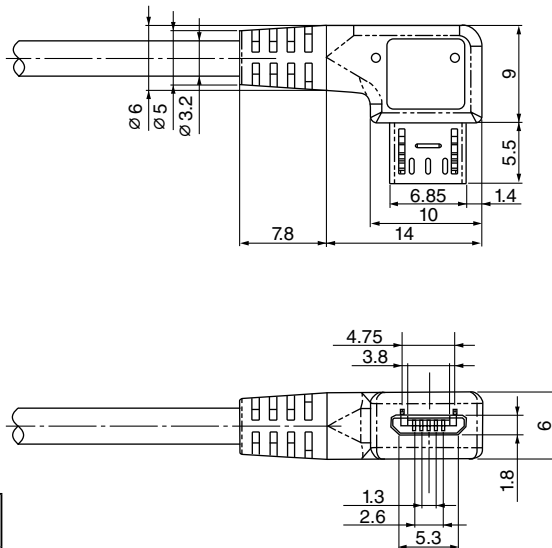
Rated	1A 30V AC max.
Contact Resistance	30m $\Omega$ max.
Insulation Resistance	1,000M $\Omega$ min. at 100V DC
Withstanding Voltage	100V AC for 1 minute
Insertion & Withdrawal force	Insertion 35N max. Withdrawal 8N min.

Model No.	Type
HPC1530	Micro-A
HPC1531	Micro-B

**HPC1521\***

**Micro-B Plug**

\*HPC1520 : See table.

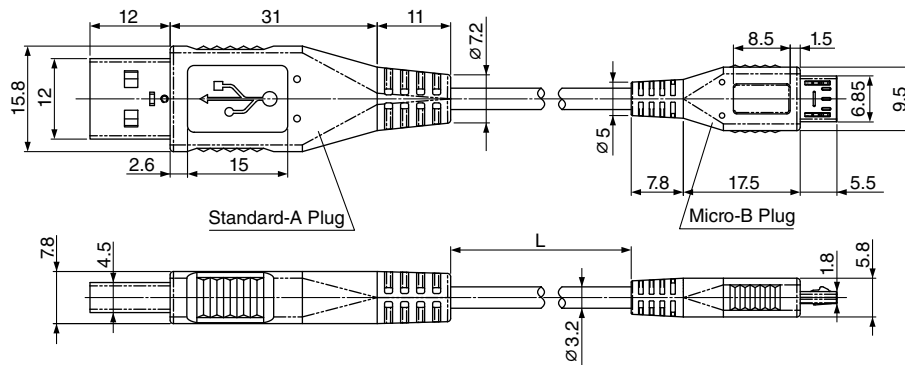


Rated	1A 30V AC max.
Contact Resistance	30m $\Omega$ max.
Insulation Resistance	1,000M $\Omega$ min. at 100V DC
Withstanding Voltage	100V AC for 1 minute
Insertion & Withdrawal force	Insertion 35N max. Withdrawal 8N min.

Model No.	Type
HPC1520	Micro-A
HPC1521	Micro-B

**HPC1579**

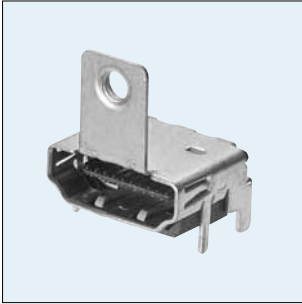
**Plug Cable (Micro-B Plug - Standard-A Plug)**



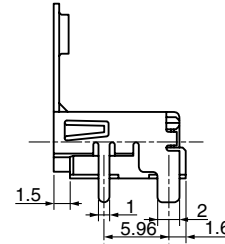
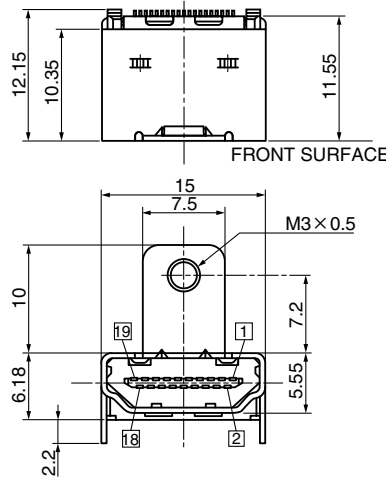
Model No.	L
HPC1579-010010	800 ± 30
HPC1579-010020	1000 ± 40

**TCX3216**

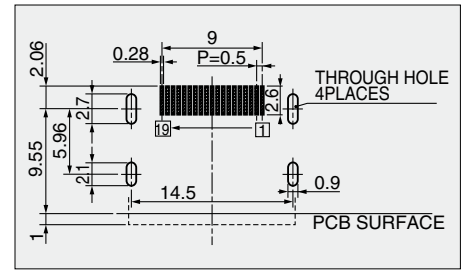
Type A Receptacle



**TCX3216-110387**



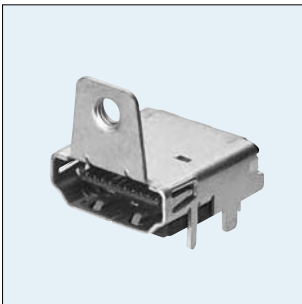
Rated	0.5A 40V AC max.
Contact Resistance	30mΩ Max.
Insulation Resistance	100MΩ min. at 500V DC
Withstanding Voltage	500V AC for 1 minute
Characteristic Impedance	100Ω ± 15%
Terminal pitch	0.5mm



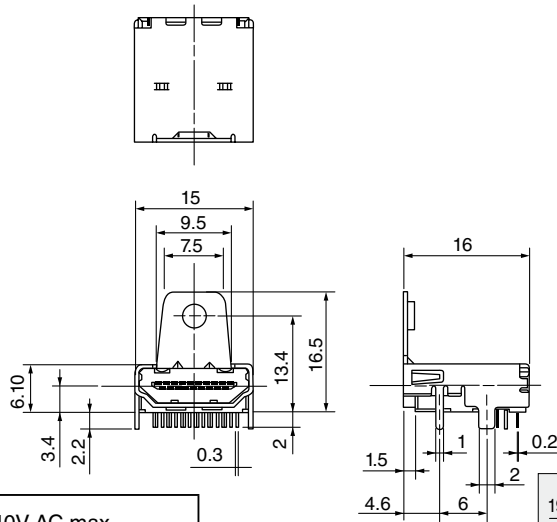
PCB Layout (Top View)

**TCX3230**

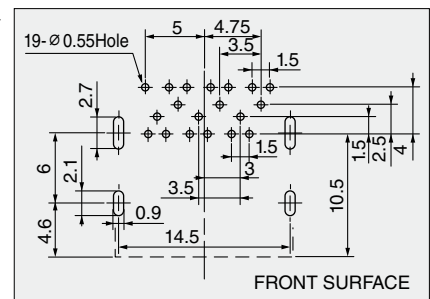
Type A Receptacle



**TCX3230-210377**



Rated	0.5A 40V AC max.
Contact Resistance	30mΩ Max.
Insulation Resistance	100MΩ min. at 500V DC
Withstanding Voltage	500V AC for 1 minute
Characteristic Impedance	100Ω ± 15%
Terminal pitch	0.5mm

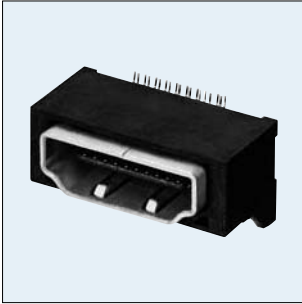


PCB Layout (Top View)

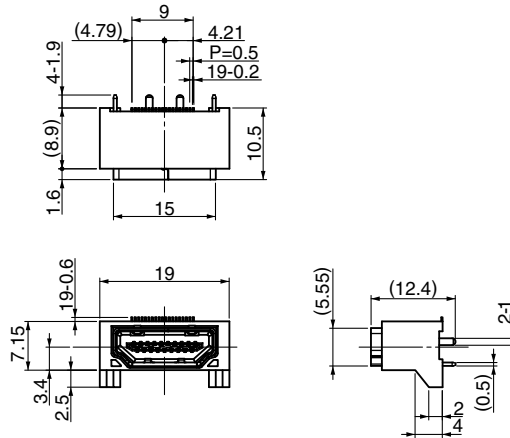


**TCX3409**

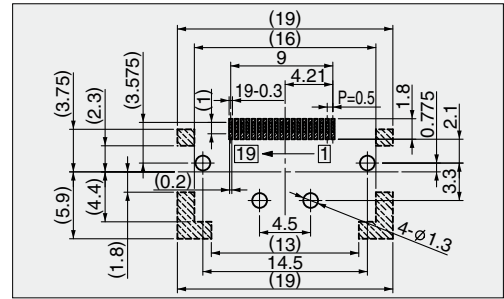
Type A Receptacle



**TCX3409-011187**



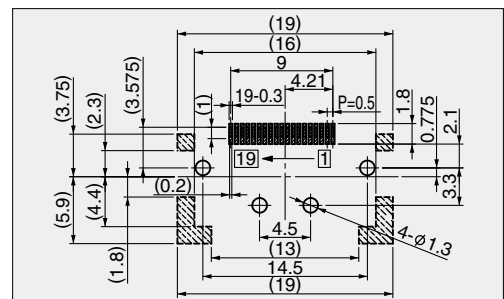
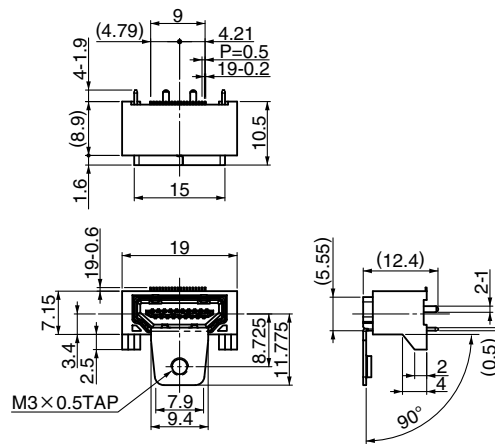
Rated	0.5A 40V AC max.
Contact Resistance	30mΩ Max.
Insulation Resistance	100MΩ min. at 500V DC
Withstanding Voltage	500V AC for 1 minute
Characteristic Impedance	100Ω ± 15%
Terminal pitch	0.5mm



PCB Layout  
(Top View)



**TCX3409-111387**

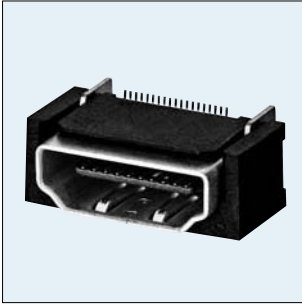


PCB Layout  
(Top View)

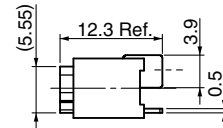
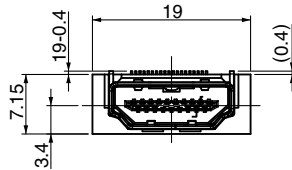
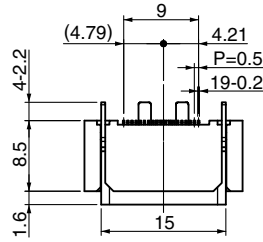
Rated	0.5A 40V AC max.
Contact Resistance	30mΩ Max.
Insulation Resistance	100MΩ min. at 500V DC
Withstanding Voltage	500V AC for 1 minute
Characteristic Impedance	100Ω ± 15%
Terminal pitch	0.5mm

**TCX3255**

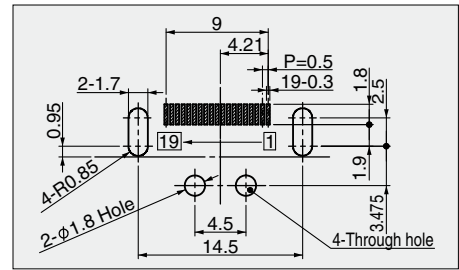
Type A Receptacle



**TCX3255-611187**



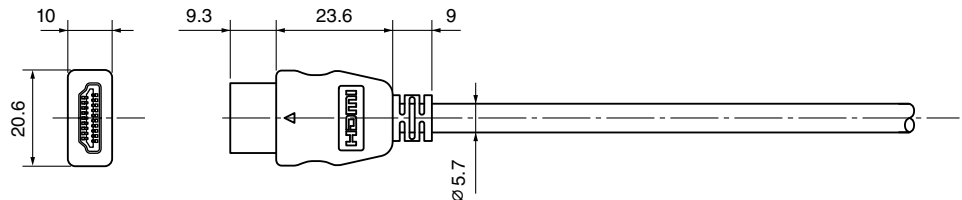
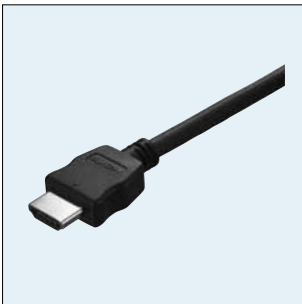
Rated	0.5A 40V AC max.
Contact Resistance	30mΩ Max.
Insulation Resistance	100MΩ min. at 500V DC
Withstanding Voltage	500V AC for 1 minute
Characteristic Impedance	100Ω ± 15%
Terminal pitch	0.5mm



PCB Layout (Top View)

**TCX3191**

Type A Plug

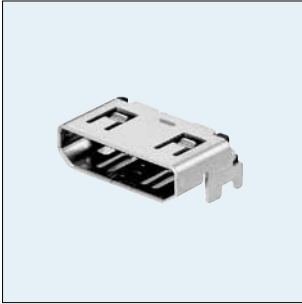


Rated	0.5A 40V AC max.
Contact Resistance	30mΩ Max.
Insulation Resistance	100MΩ min. at 500V DC
Withstanding Voltage	500V AC for 1 minute
Characteristic Impedance	100Ω ± 15%
Terminal pitch	0.5mm

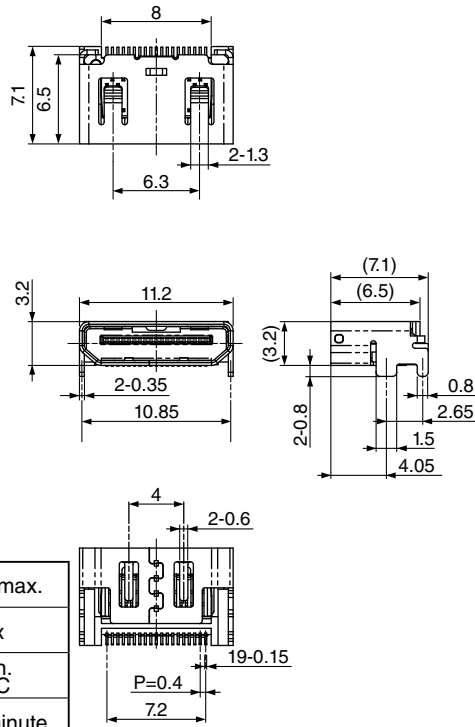
Plugs are equipped with a cable. (Plugs cannot be sold independently)

**TCX3278**

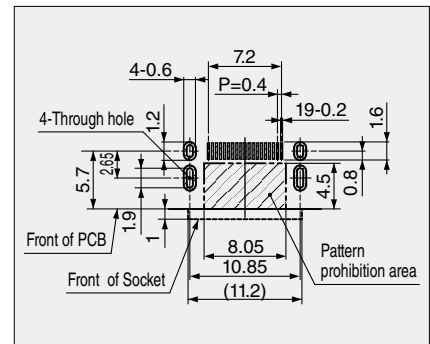
Type C Receptacle



**TCX3278-310187**



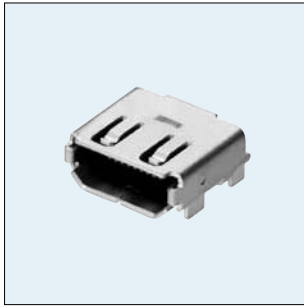
Rated	0.5A 40V AC max.
Contact Resistance	10mΩ max
Insulation Resistance	100MΩ min. at 500V DC
Withstanding Voltage	500V AC / 1 minute
Mating and Unmating Cycle	5,000 cycles



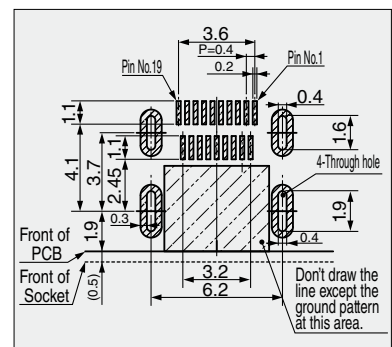
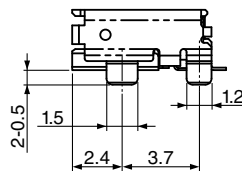
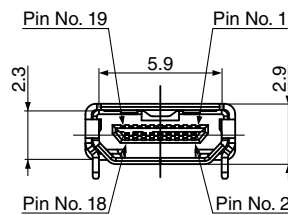
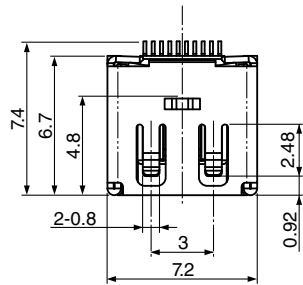
PCB Layout  
(Top View)

**TCX3290**

Type D Receptacle



**TCX3290-211187**



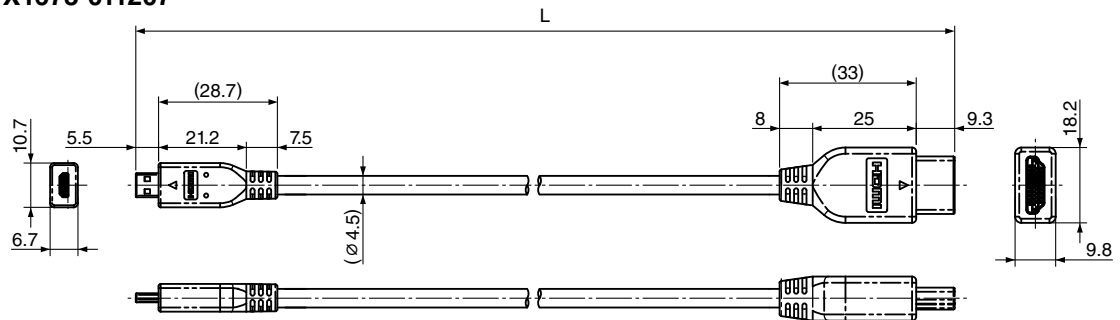
**PCB Layout  
(Top View)**

Rated	0.3A 40V AC max.
Contact Resistance	10mΩ max.
Insulation Resistance	100MΩ min. at 500V DC
Withstanding Voltage	250V AC / 1 minute
Mating and Unmating Cycle	5,000 cycles

**TYX1673**



**TYX1673-011207**



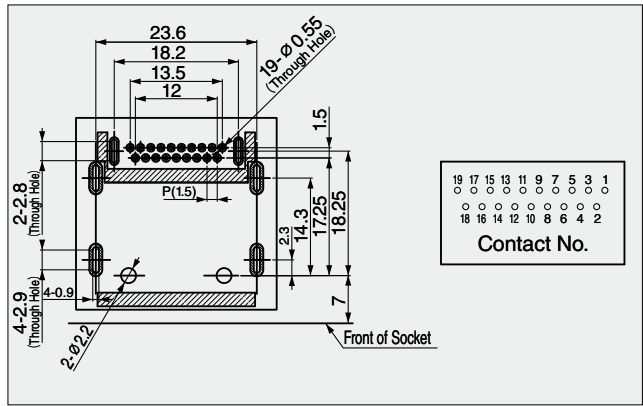
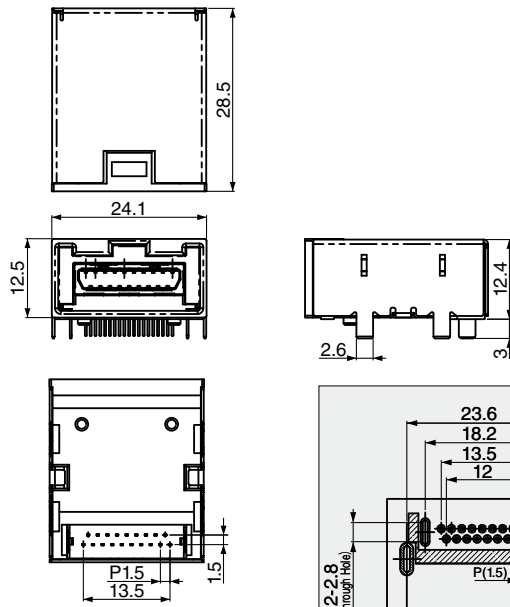
Model No.	L
TYX1673-011107	1000
TYX1673-011157	1500
TYX1673-011207	2000

**TCX3407**

Type E Receptacle



**TCX3407-010187**

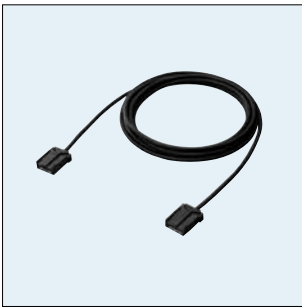


PCB Layout  
(Top View)

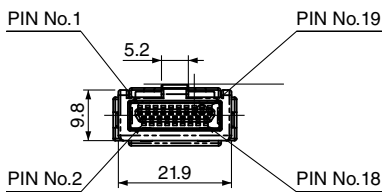
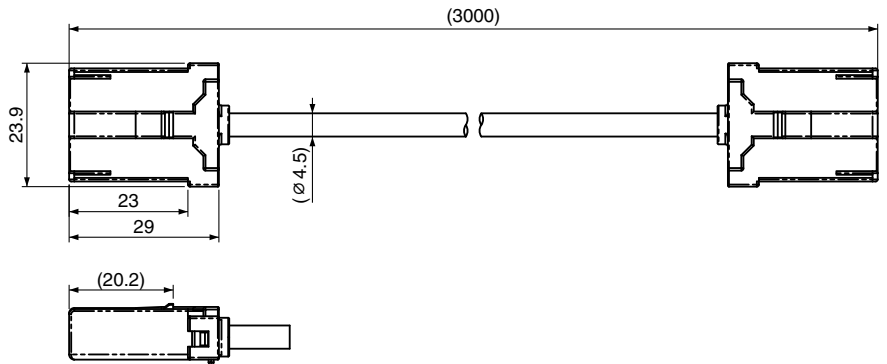
Rated	0.5A 40V(RMS) AC max.
Contact Resistance	10mΩ max.
Insulation Resistance	100MΩ min. at 500V DC
Withstanding Voltage	500V AC / 1 minute

**TYX1666**

Plug Cable (Type E plug - Type E Plug)

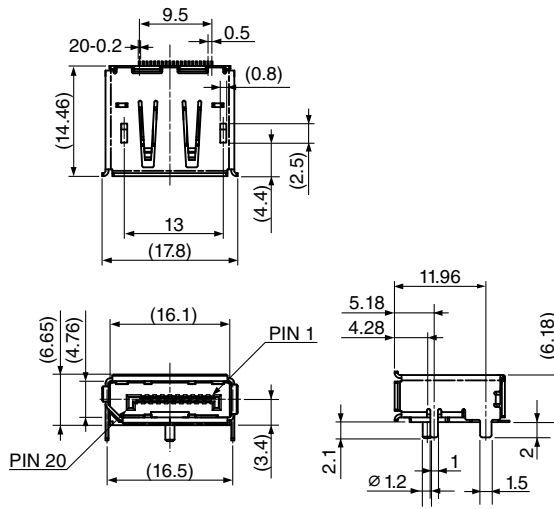


**TYX1666-010307**

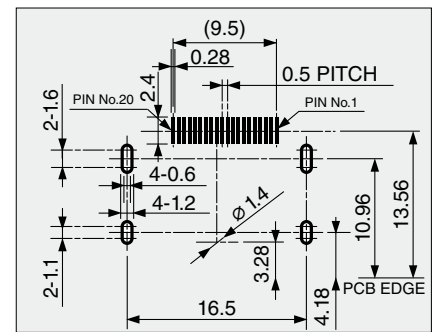
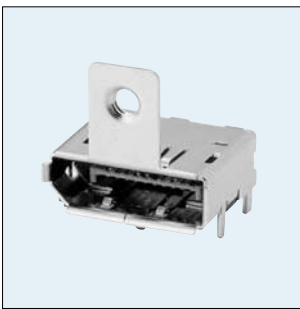
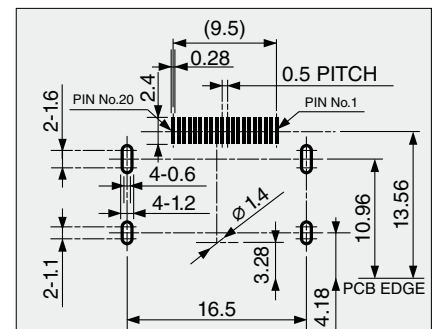
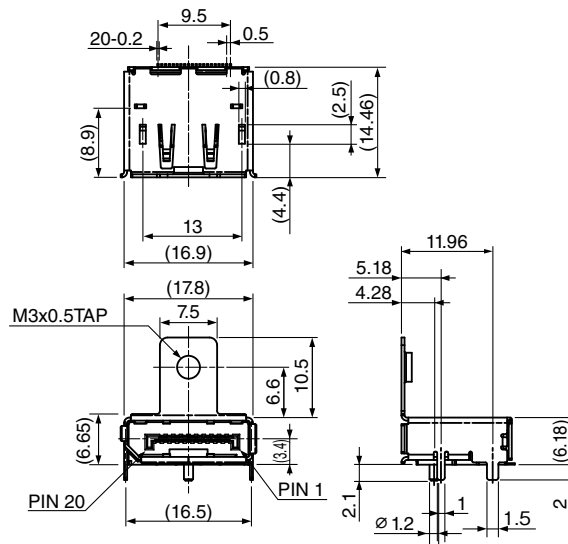


## TCX3250

### Standard Type Receptacle


**TCX3250-01**


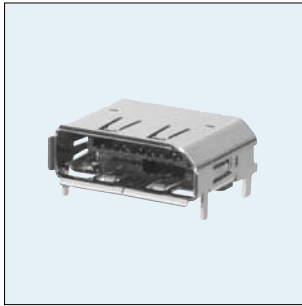
Rated	0.5A 40V AC max.
Contact Resistance	30m $\Omega$ max.
Insulation Resistance	100M $\Omega$ min. at 500V DC
Withstanding Voltage	500V AC for 1 minute
Differential Impedance	100 $\Omega$ $\pm$ 10 $\Omega$ (Tr=130ps(20%-80%))


 PCB Layout  
(Top View)

**TCX3250-11**

 PCB Layout  
(Top View)

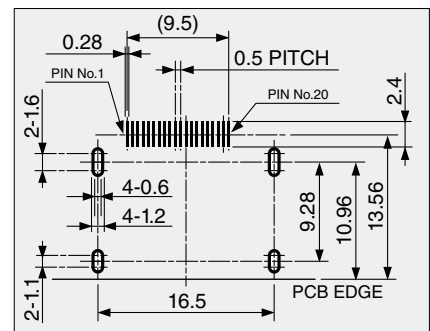
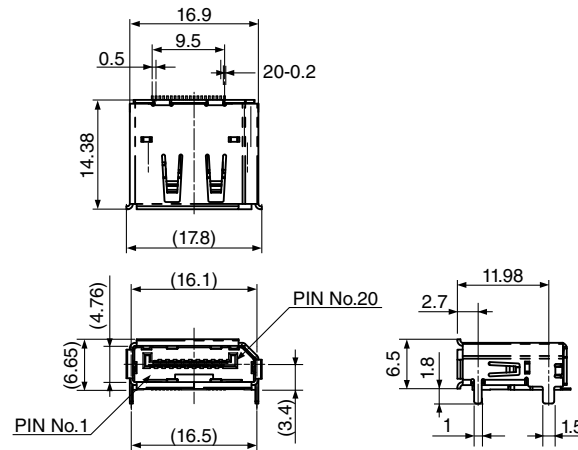
Rated	0.5A 40V AC max.
Contact Resistance	30m $\Omega$ max.
Insulation Resistance	100M $\Omega$ min. at 500V DC
Withstanding Voltage	500V AC for 1 minute
Differential Impedance	100 $\Omega$ $\pm$ 10 $\Omega$ (Tr=130ps(20%-80%))

**TCX3257**

**Reverse Type Receptacle**



**TCX3257-01**

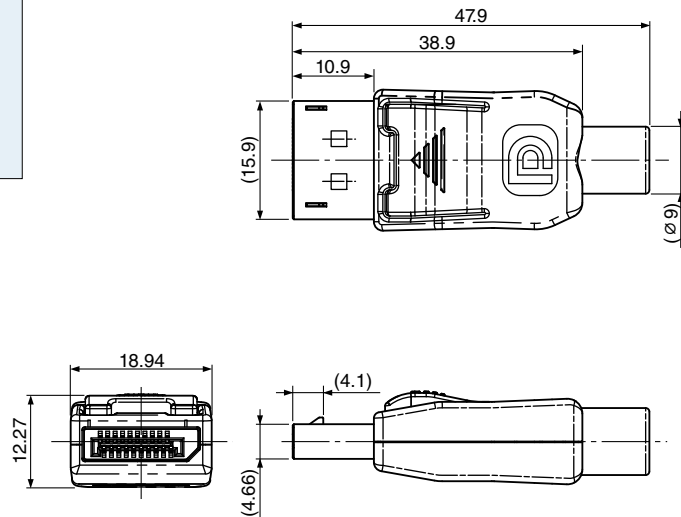


PCB Layout  
(Top View)

Rated	0.5A 40V AC max.
Contact Resistance	30mΩ max.
Insulation Resistance	100MΩ min. at 500V DC
Withstanding Voltage	500V AC for 1 minute
Differential Impedance	100Ω ± 10Ω (Tr=130ps(20%-80%))

**TCX3251**

**Plug**



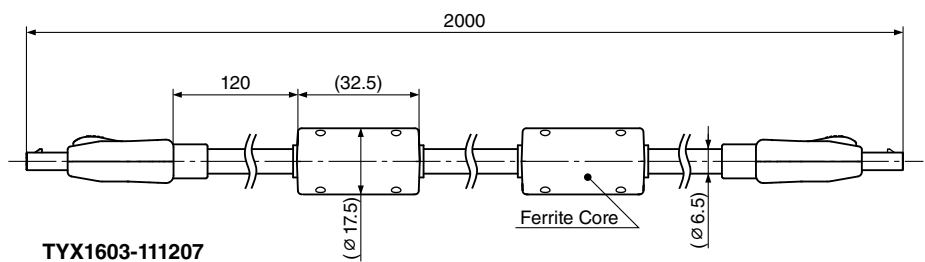
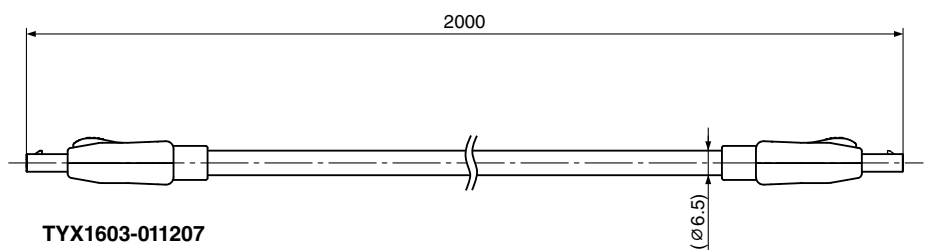
\*Plug must be supplied with cable.

**TYX1603**

**Plug Cable**



**TYX1603-111207**

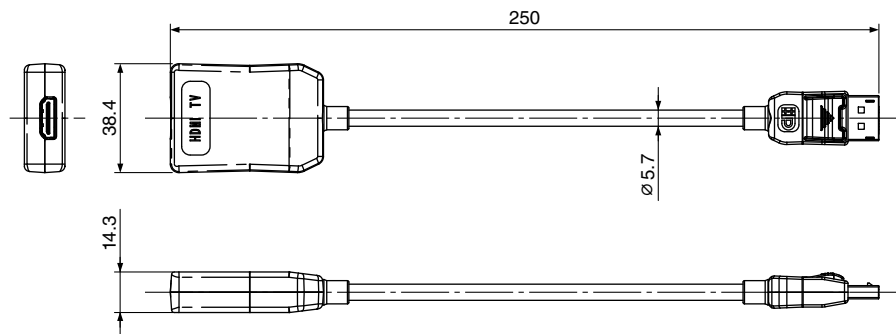


**TYX1601**

**DisplayPort To HDMI Cable Adapter**



**TYX1601-010207**

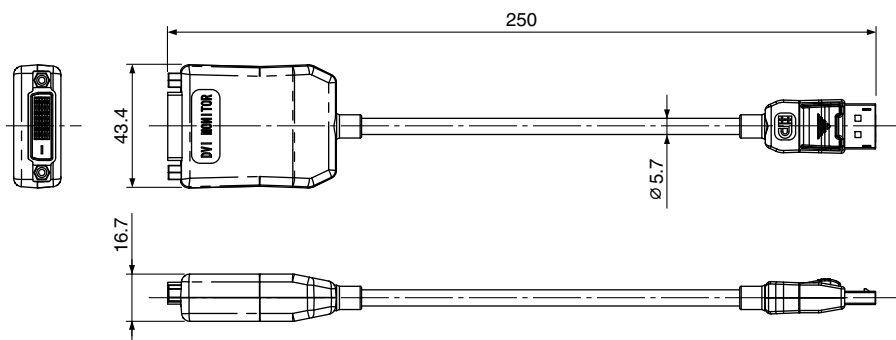


**TYX1602**

**DisplayPort To DVI Cable Adapter**



**TYX1602-010207**

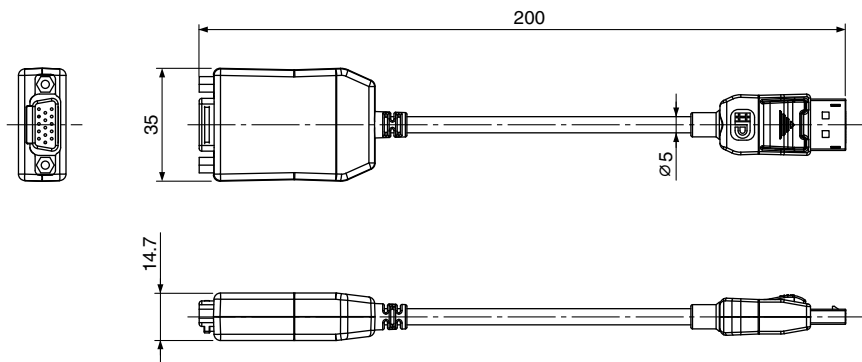


**TYX1621**

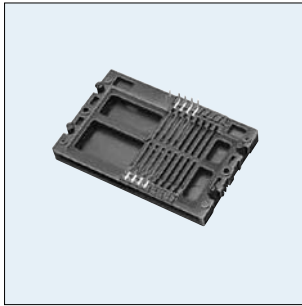
DisplayPort To VGA Cable Adapter



**TYX1621-010107**

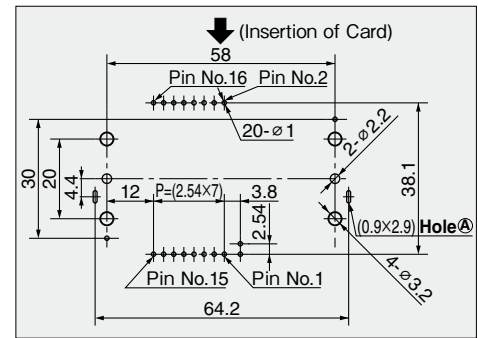
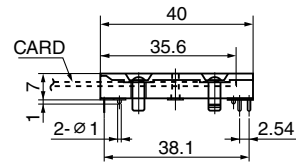
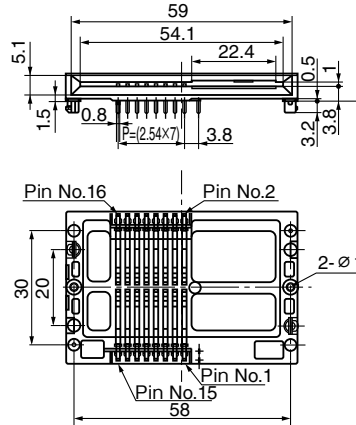


## CCD8072\*


**CCD8072-010039**

Plastic Cover Type

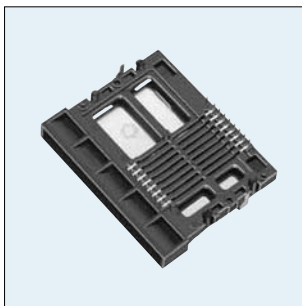
\*CCD8074 : See table.


 Hole Layout  
(Bottom View)

Rated	0.5A 30V DC max.
Contact Resistance	80mΩ Max.
Insulation Resistance	1,000MΩ min. at 500V DC
Withstanding Voltage	500V AC for 1 minute
Insertion & Withdrawal force	Insertion 0.6N to 5.9N Withdrawal 0.3N to 3.9N
Conforming	ISO 7816 / 1 to 3 JIS X 6303
Mating and Unmating Cycle	10,000 cycles

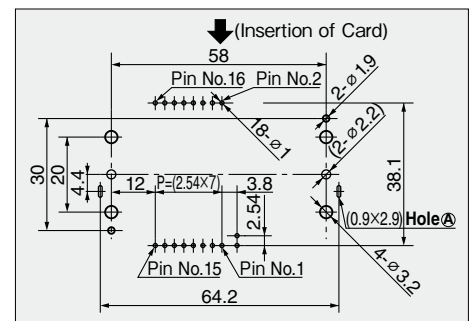
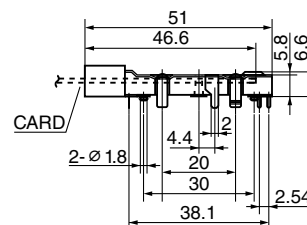
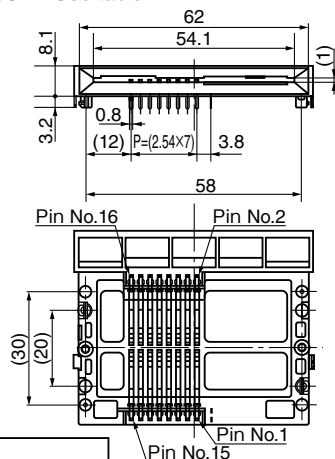
Plastic Cover Type	Hole (A)	Metal Cover Type	Hole (A)	Number of Contacts	Pin No.	Remarks
CCD8072-010019	Without	CCD8074-010019	With	8	1 to 8	ISO
CCD8072-010029	Without	CCD8074-010029	With	8	9 to 16	CP8
CCD8072-010039	Without	CCD8074-010039	With	16	1 to 16	ISO+CP8

## CCD8084\*


**CCD8084-010039**

Metal Cover Type

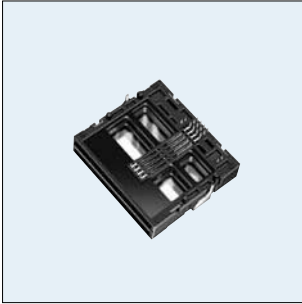
\*CCD8082 : See table.


 Hole Layout  
(Bottom View)

Rated	0.5A 30V DC max.
Contact Resistance	80mΩ Max.
Insulation Resistance	1,000MΩ min. at 500V DC
Withstanding Voltage	500V AC for 1 minute
Insertion & Withdrawal force	Insertion 0.6N to 5.9N Withdrawal 0.3N to 3.9N
Conforming	ISO 7816 / 1 to 3 JIS X 6303
Mating and Unmating Cycle	10,000 cycles

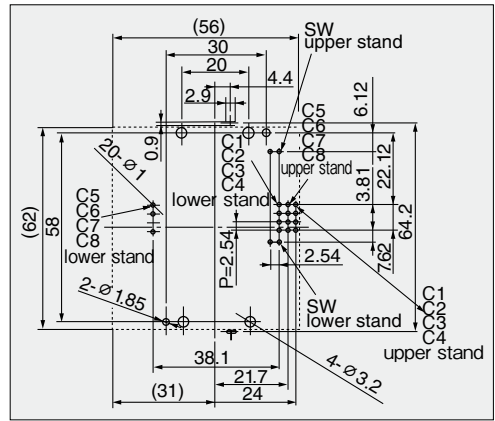
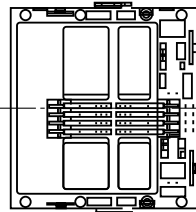
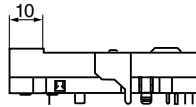
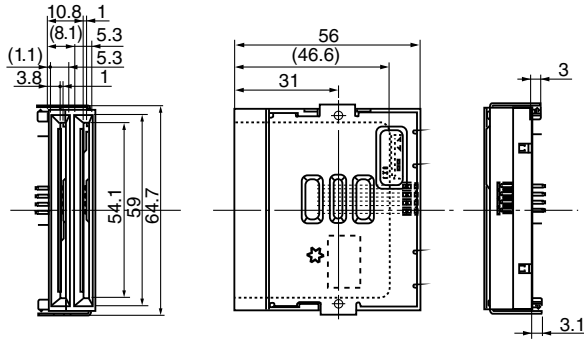
Plastic Cover Type	Hole (A)	Metal Cover Type	Hole (A)	Number of Contacts	Pin No.	Remarks
CCD8082-010019	Without	CCD8084-010019	With	8	1 to 8	ISO
CCD8082-010029	Without	CCD8084-010029	With	8	9 to 16	CP8
CCD8082-010039	Without	CCD8084-010039	With	16	1 to 16	ISO+CP8

**CCD8065**



**CCD8065-010019**

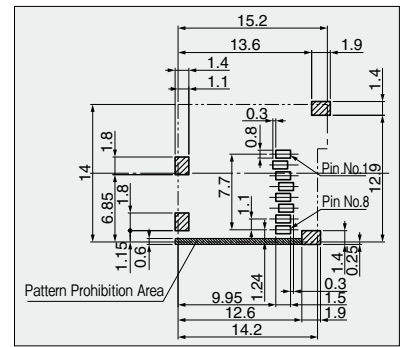
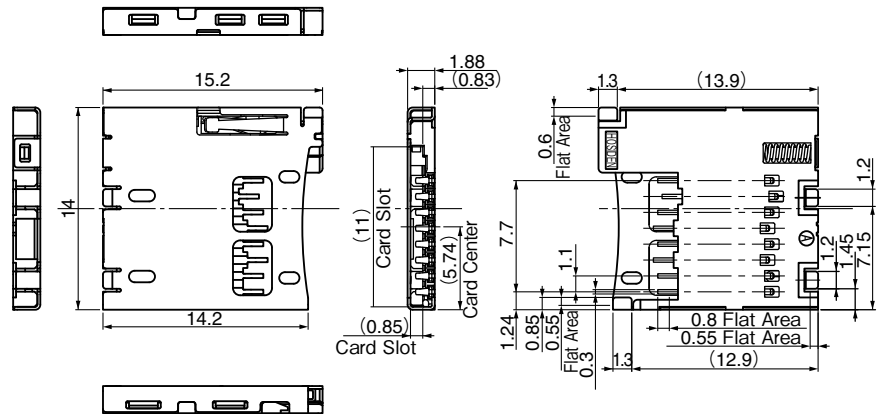
2 cards insertion type with metal cover



PCB Layout  
(Top View)

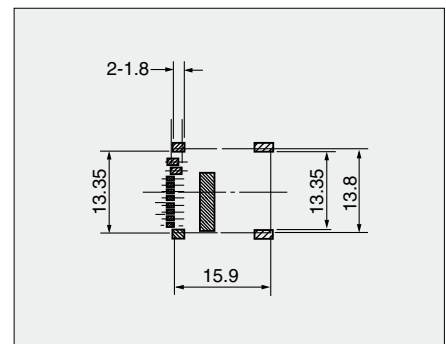
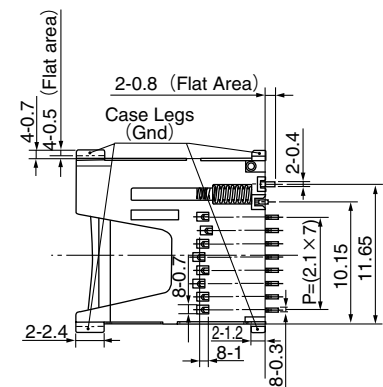
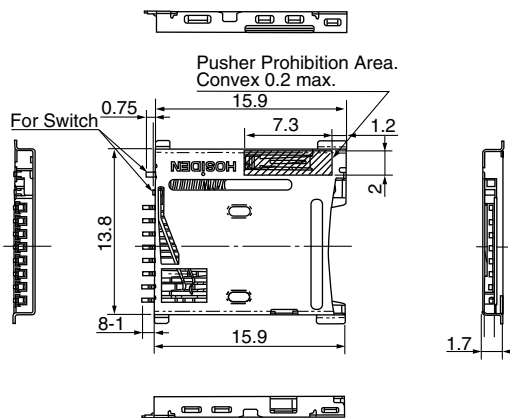
Rated	0.5A max. per contact
Contact Resistance	80mΩ max.
Insulation Resistance	1,000MΩ min. at 500V DC
Insertion & Withdrawal force	Insertion 0.6 to 5.9N Withdrawal 0.3 to 3.9N
Mating and Unmating Cycle	10,000 cycles
Remarks	ISO

## CCD1350


**CCD1350-010010**

**PCB Layout (Top View)**

Rated	0.5A 125V DC max.
Contact Resistance	Initial 100mΩ max. After Test 140mΩ max.
Insulation Resistance	1,000MΩ min. at 500V DC
Insertion & Withdrawal force	1N to 30N
Mating and Unmating Cycle	5,000 cycles

## CCD1360


**CCD1360-010010**

**PCB Layout (Top View)**

Rated	0.5A 125V DC max.
Contact Resistance	Initial 100mΩ max. After Test 140mΩ max.
Insulation Resistance	1,000MΩ min. at 500V DC
Insertion & Withdrawal force	1N to 40N
Mating and Unmating Cycle	10,000 cycles

Model No. Table

Model No.	Page						
CCD 1350	34	CMS 1527	16	HPC 1530	17	TCX 3255	22
CCD 1360	34	CMS 1600	2	HPC 1531	17	TCX 3257	28
CCD 8065	33	CMS 1605	2	HPC 1579	18	TCX 3278	23
CCD 8072	32	CMS 1610	3	HPC 1645	7	TCX 3285	20
CCD 8074	32	CMS 1620	3	HPC 1650	7	TCX 3290	24
CCD 8082	32	CMS 1630	4	HPC 1660	8	TCX 3407	26
CCD 8084	32	CMS 1631	4	TCS 0101	13	TCX 3409	21
CMS 1400	9	CMS 1700	12	TCS 0102	14	TYX 1601	30
CMS 1401	9	CMS 1702	12	TCX 3191	22	TYX 1602	30
CMS 1402	10	CMS 1811	5	TCX 3216	19	TYX 1603	29
CMS 1403	10	CMS 1821	5	TCX 3230	19	TYX 1621	31
CMS 1410	11	CMS 1825	6	TCX 3250	27	TYX 1666	26
CMS 1520	15	HPC 1520	17	TCX 3251	29	TYX 1673	25
CMS 1521	15	HPC 1521	17	TCX 3253	20		



<http://www.hosiden.com>

Head Office

4-33, Kitakyuhoji 1-chome, Yao-city, Osaka 581-0071, Japan  
Phone : +81-72-993-1010 Fax : +81-72-994-5101

Japan

Overseas Division :

4-33, Kitakyuhoji 1-chome, Yao-city, Osaka 581-0071, Japan  
Phone : +81-72-993-1010 Fax : +81-72-924-8937

China

Hosiden Electronics(Shanghai) Co., Ltd.  
Room 10-11, 13<sup>th</sup> Floor, MAXDO Center, Xing-Yi Road, Chang-Ning District, Shanghai China  
Phone : +86-21-5208-1488 Fax : +86-21-5208-1480  
Hosiden (Shenzhen) Co., Ltd.  
Room2716, Changping Commercial Building, 99 Honghua Road,  
Futian Free Trade Zone, Shenzhen, China  
Phone : +86-755-8348-0952 Fax : +86-755-8359-7722

Hong Kong

Hong Kong Hosiden Ltd.  
Units 1101-02, 11/F., Stelux House, 698 Prince Edward Road East, San Po Kong, Kowloon, Hong Kong  
Phone : +852-23238181 Fax : +852-23520425

Taiwan

Taiwan Hosiden Co., Ltd.  
10F, No.116, Nanking East Road Sec. 2, Taipei, Taiwan  
Phone : +886-2-2571-0017 Fax : +886-2-2561-6413

Singapore

Hosiden Singapore Pte. Ltd.  
28, Genting, Lane, #04-07, Platinum 28, Singapore 349585  
Phone : +65-6296-8100 Fax : +65-6296-8200

Malaysia

Hosiden Corporation(M)Sdn. Bhd.  
Lot1,Jalan P/1A,Bangi,Industrial Estate,43650  
Bander Baru Bangi, Selangor Darul Ehsan,Malaysia  
Phone : +60-3-8925-8655 Fax : +60-3-8926-6122

Thailand

Hosiden (Thailand) Co., Ltd.  
889 THAI CC TOWER, 21 Floor, Room 212, South Sathorn Road.,  
Kwaeng Yannawa, Khet Sathorn, Bangkok 10120, Thailand  
Phone : +66-2-673-9760, 9761 Fax : +66-2-673-9762

Germany

Hosiden Europe GmbH  
Head Office  
Graf-Recke-Straße 82, 40239 Düsseldorf, Germany  
Phone : +49-211-96493-0 Fax : +49-211-96493-90

France

Branch office Paris  
13, rue Camille Desmoulins 92441 Issy Les Moulineaux, France  
Phone : +33-1-5804-2484 Fax : +33-1-5804-2300

U.K.

Hosiden Besson Ltd.  
11St. Joseph's Trading Estate St. Joseph's Close, Hove, East Sussex,  
BN3 7EZ, United Kingdom  
Phone : +44-1273-860000 Fax : +44-1273-777501

U.S.A.

Hosiden America Corp.  
Head Office  
120 East State Parkway, Schaumburg, IL, 60173, U.S.A.  
Phone : +1-847-885-8870 Fax : +1-847-885-0063  
San Jose Sales Office  
550 South Winchester Boulevard, Suite 320, San Jose, CA 95128, U.S.A.  
Phone : +1-408-985-8780 Fax : +1-408-985-8785  
Detroit Sales Office  
28970 Cabot Drive, Suite 600, Novi, MI 48377, U.S.A.  
Phone : +1-248-489-0174 Fax : +1-248-489-1154

- The contents described in this catalog may be changed without prior notice due to products improvements or discontinuance of production.
- Every product in this catalog is compliant to RoHS directive.

CAUTION FOR SAFETY

Please use our products properly based on our  
Drawing and Specification.